

Dell™ Systems

Rack Installation Guide

Guide d'installation du rack

Rack-Installationsanleitung

ラック取り付けガイド

Guía de instalación del rack

Rack Installation Guide

Notes, Notices, and Cautions



NOTE: A NOTE indicates important information that helps you make better use of your computer.



NOTICE: A NOTICE indicates either potential damage to hardware or loss of data and tells you how to avoid the problem.



CAUTION: A CAUTION indicates a potential for property damage, personal injury, or death.

Information in this document is subject to change without notice.

© 2005 Dell Inc. All rights reserved.

Reproduction in any manner whatsoever without the written permission of Dell Inc. is strictly forbidden.

Trademarks used in this text: *Dell*, the *DELL* logo, *RapidRails*, and *VersaRails* are trademarks of Dell Inc.

Other trademarks and trade names may be used in this document to refer to either the entities claiming the marks and names or their products. Dell Inc. disclaims any proprietary interest in trademarks and trade names other than its own

Contents

| | |
|---|----------|
| Safety Instructions | 5 |
| SAFETY: Rack Mounting of Systems | 5 |
| Installation Instructions | 6 |
| Before You Begin | 6 |
| Important Safety Information | 6 |
| Rack Requirements for VersaRails | 6 |
| Four-Post Rack Installation | 7 |
| Rack Stabilizer Feet | 7 |
| Recommended Tools and Supplies | 7 |
| RapidRails Rack Kit Contents | 8 |
| VersaRails Rack Kit Contents | 8 |
| Installation Tasks | 9 |
| Removing the Rack Doors | 10 |
| Marking the Rack | 10 |
| Installing the Mounting Rails in the Rack | 12 |
| Installing the System in the Rack | 15 |
| Removing the System from the Rack | 16 |
| Replacing the Rack Doors | 17 |


Safety Instructions


Use the following safety guidelines to ensure your own personal safety and to help protect your system and working environment from potential damage. For complete safety information, see the *Product Information Guide*.


SAFETY: Rack Mounting of Systems

Observe the following precautions for rack stability and safety.


Systems are considered to be components in a rack. Thus, "component" refers to any system as well as to various peripherals or supporting hardware.

 **CAUTION:** Before installing systems in a rack, install front and side stabilizers on stand-alone racks or the front stabilizer on racks joined to other racks. Failure to install stabilizers accordingly before installing systems in a rack could cause the rack to tip over, potentially resulting in bodily injury under certain circumstances. Therefore, always install the stabilizer(s) before installing components in the rack.

 **CAUTION:** After installing components in a rack, never pull more than one component out of the rack on its slide assemblies at one time. The weight of more than one extended component could cause the rack to tip over and may result in serious injury.

 **NOTE:** Your system is safety-certified as a free-standing unit and as a component for use in a Dell rack cabinet using the customer rack kit. The installation of your system and rack kit in any other rack cabinet has not been approved by any safety agencies. It is your responsibility to ensure that the final combination of system and rack complies with all applicable safety standards and local electric code requirements. Dell disclaims all liability and warranties in connection with such combinations.

- System rack kits are intended to be installed in an approved rack by trained service technicians. If you install the kit in any other rack, be sure that the rack meets the specifications of a Dell rack.

 **CAUTION:** Do not move racks by yourself. Due to the height and weight of the rack, a minimum of two people should accomplish this task.




- Before working on the rack, make sure that the stabilizers are secured to the rack, extended to the floor, and that the full weight of the rack rests on the floor. Install front and side stabilizers on a single rack or front stabilizers for joined multiple racks before working on the rack.
- Always load the rack from the bottom up, and load the heaviest item in the rack first.
- Use caution when pressing the component rail release latches and sliding a component into or out of a rack; the slide rails can pinch your fingers.
- After a component is inserted into the rack, carefully extend the rail into a locking position, and then slide the component into the rack.
- Do not overload the AC supply branch circuit that provides power to the rack. The total rack load should not exceed 80 percent of the branch circuit rating.
- Ensure that proper airflow is provided to components in the rack.
- Do not step on or stand on any component when servicing other components in a rack.

Installation Instructions

This installation guide provides instructions for installing one or more systems in a four-post rack cabinet. The RapidRails™ rack kit can be installed in all the system manufacturer's rack cabinets without tools; the VersaRails™ rack kit can be installed in most industry-standard rack cabinets. The procedures for installing both RapidRails and VersaRails rack kits are similar. One rack kit is required for each system to be installed in the rack cabinet.



Before You Begin

Before you begin installing your system in the rack, carefully read "Safety Instructions" earlier in this guide. For additional information, also read the safety instructions found in your *Product Information Guide*.


-  **CAUTION:** When installing multiple systems in a rack, complete all of the procedures for the current system before attempting to install the next system.
-  **CAUTION:** Rack cabinets can be extremely heavy and move easily on their casters. They do not have brakes. Use extreme caution while moving the rack cabinet. Retract the leveling feet when relocating the rack cabinet. Avoid long or steep inclines or ramps where loss of cabinet control may occur. Extend the leveling feet for support and to prevent the cabinet from rolling.
-  **NOTE:** For instructions on installing the system itself, see "Installing the System in the Rack."

Important Safety Information

Observe the safety precautions in the following subsections when installing your system in the rack.

-  **CAUTION:** You must strictly follow the procedures in this document to protect yourself as well as others who may be involved. Your system may be very large and heavy and proper preparation and planning are important to prevent injury to yourself and to others. This precaution becomes increasingly important when systems are installed high up in the rack.
-  **CAUTION:** Do not install rack kit components designed for another system. Use only the rack kit for your system. Using the rack kit for another system may result in damage to the system and personal injury to yourself and to others.

Rack Requirements for VersaRails

-  **NOTICE:** The VersaRails rack kit is intended to be installed by trained service technicians in a rack that meets the specifications of American National Standards Institute (ANSI)/Electronic Industries Association (EIA) standard ANSI/EIA-310-D-92, International Electrotechnical Commission (IEC) 297, and Deutsche Industrie Norm (DIN) 41494. One rack kit is required for each system that is installed in a rack.

Four-Post Rack Installation

Before attempting this installation, read through this entire procedure carefully.

Rack Stabilizer Feet



CAUTION: Before installing systems in a rack, install front and side stabilizers on stand-alone racks or the front stabilizer on racks joined to other racks. Failure to install stabilizers accordingly before installing systems in a rack could cause the rack to tip over, potentially resulting in bodily injury under certain circumstances. Therefore, always install the stabilizer(s) before installing components in the rack.

The stabilizer feet help prevent the rack from tipping over. See the documentation provided with the rack cabinet for instructions on installing and anchoring the stabilizer feet.

Recommended Tools and Supplies

You may need the following items to install the system in a four-post rack cabinet:

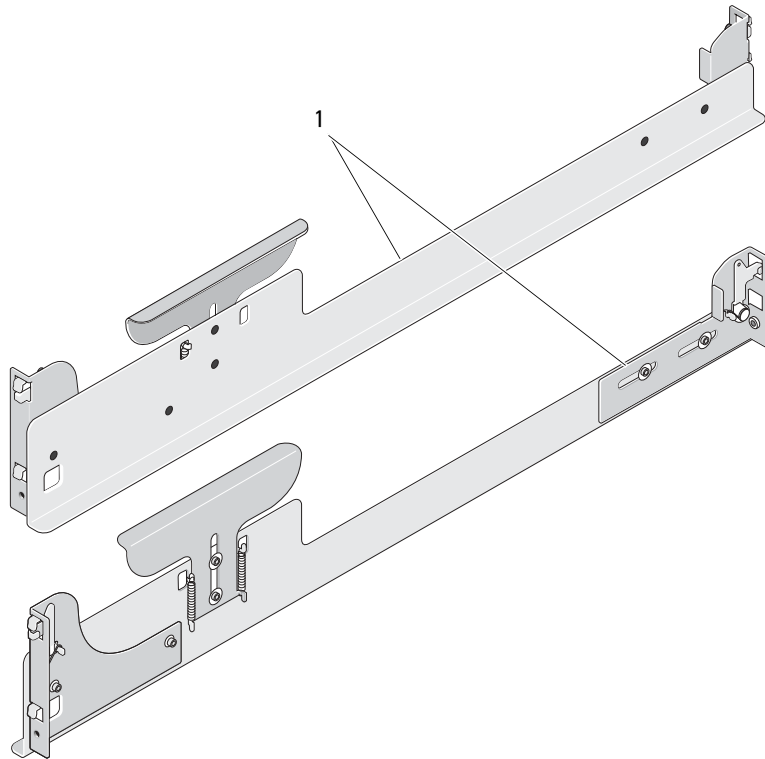
- #2 Phillips screwdriver
- Masking tape or a felt-tip pen (to mark the mounting holes during installation)

RapidRails Rack Kit Contents

The RapidRails rack kit contains the following:

- One pair of RapidRails mounting rails

Figure 1-1. RapidRails Rack Kit Contents



1 Mounting rails (2)

VersaRails Rack Kit Contents

The VersaRails rack kit contains the following:

- One pair of VersaRails mounting rails
- 10-32 x 0.5-inch flange-head Phillips screws (8)


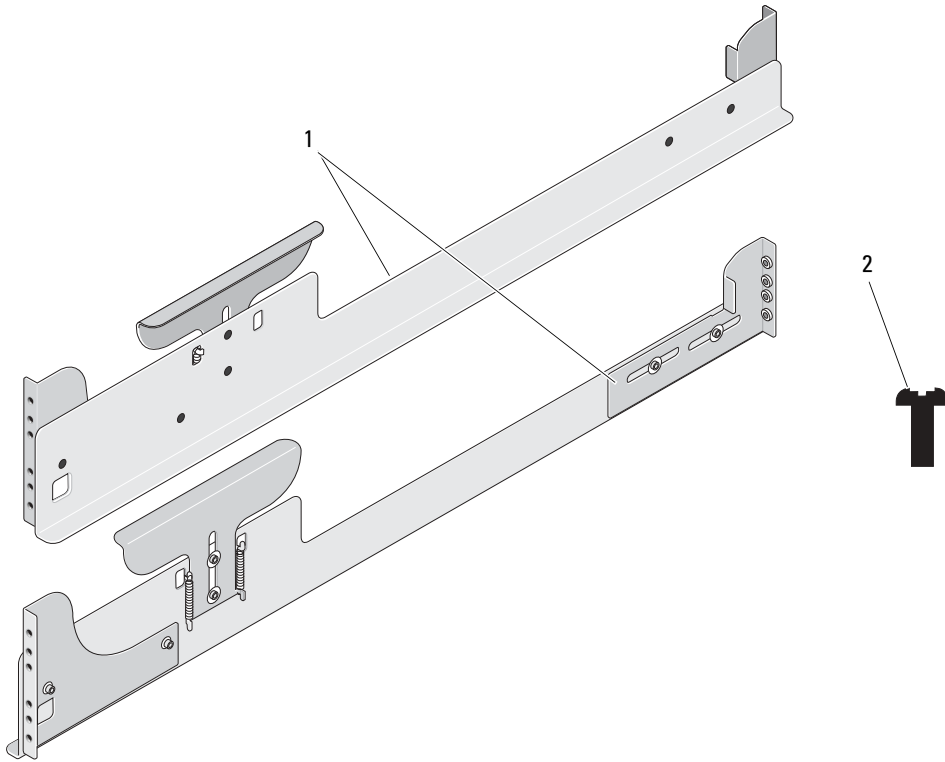
 **NOTE:** The nonmetric screws described in illustrations and in procedural steps are identified by size and number of threads per inch. For example, a #10 Phillips-head screw with 32 threads per inch is identified as a 10-32 screw.

Figure 1-2. VersaRails Rack Kit Contents



1 Mounting rails (2)

2 10-32 x 0.5-inch flange-head Phillips screws (8)

Installation Tasks

Installing a rack kit involves performing the following tasks (described in detail in subsequent sections) in their numbered order:

- 1 Removing the rack doors
- 2 Marking the rack
- 3 Installing the mounting rails in the rack
 - RapidRails installation
 - VersaRails installation
- 4 Installing the system in the rack
- 5 Replacing the rack doors

Removing the Rack Doors

See the procedures for removing doors in the documentation provided with your rack cabinet.

⚠ CAUTION: Because of the size and weight of the rack cabinet doors, never attempt to remove or install them by yourself.

⚠ CAUTION: Store the doors where they will not injure someone if the doors accidentally fall over.

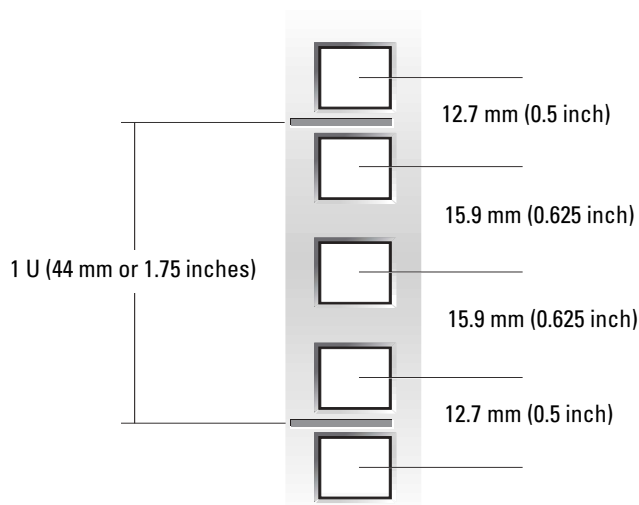
Marking the Rack

For a 3-U system, you must allow 3 U (132 mm, or 5.25 inches) of vertical space for each system you install in the rack.

Rack cabinets that meet EIA-310 standards have an alternating pattern of three holes per rack unit with center-to-center hole spacing (beginning at the top hole of a 1-U space) of 15.9 mm, 15.9 mm, and 12.7 mm (0.625 inch, 0.625 inch, and 0.5 inch) for the front and back vertical rails (see Figure 1-3). Rack cabinets may have round or square holes.

🔍 NOTE: The vertical rails may be marked by horizontal lines and numbers in 1-U increments. If you want, you can make a note of the number marking on the rack's vertical rail. It is not necessary to mark or place tape on the rack.

Figure 1-3. One Rack Unit

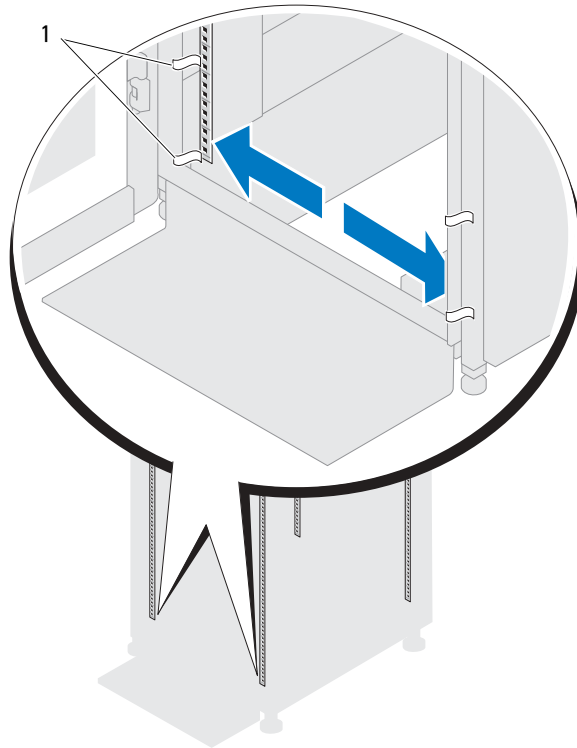


⚠ CAUTION: If you are installing more than one system, install the mounting rails so that the first system is installed in the lowest available position in the rack.

To mark the rack, perform the following steps:

- 1 Using a felt-tip pen or masking tape, place a mark on the rack's front vertical rails where you want the bottom of the system you are installing in the rack to be located.
The bottom of each 1-U space is at the middle of the narrowest metal area between holes (marked with a horizontal line on some rack cabinets—see Figure 1-3).
- 2 Place a second mark 132 mm (5.25 inches) above the first mark you made (or count up nine holes in a rack that meets EIA-310 standards). This mark should indicate the system's upper edge on the vertical rails (see Figure 1-4).

Figure 1-4. Marking the Vertical Rails



1 Tape on vertical rail

Installing the Mounting Rails in the Rack

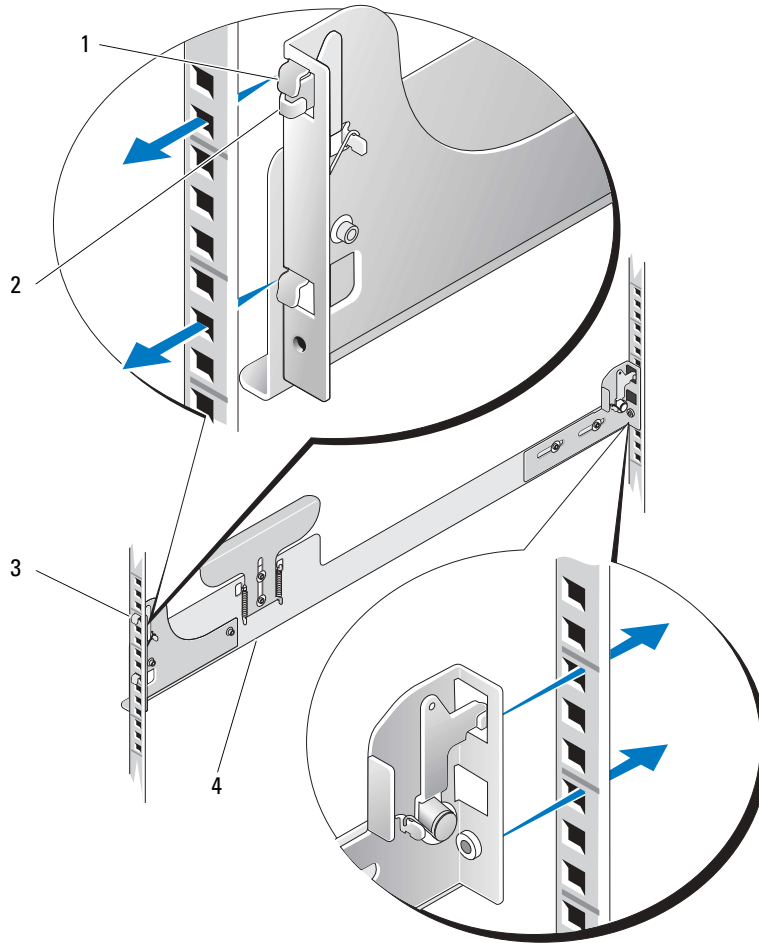
Installing the RapidRails Mounting Rails

- 1 At the front of the rack cabinet, position one of the RapidRails mounting rails so that its mounting-bracket flange fits between the marks or tape you placed (or numbered location) on the vertical rails (see Figure 1-5).

The top mounting hook on the front mounting-bracket flange should enter the top hole between the marks you made on the vertical rails.

- 2 Push the mounting rail forward until the two mounting hooks enter their square holes. Then, push down on the mounting-bracket flange until the mounting hooks seat and the blue tab on the top mounting hook pops out and clicks (see Figure 1-5).
- 3 At the back of the cabinet, pull back on the mounting-bracket flange until the mounting hooks enter their square holes. Then, push down on the flange until the mounting hooks seat and the blue tab pops out and clicks.
- 4 Repeat step 1 through step 3 for the mounting rail on the other side of the rack.
- 5 Ensure that the mounting rails are mounted at the same vertical position on both sides of the rack.

Figure 1-5. Installing the RapidRails Mounting Rails



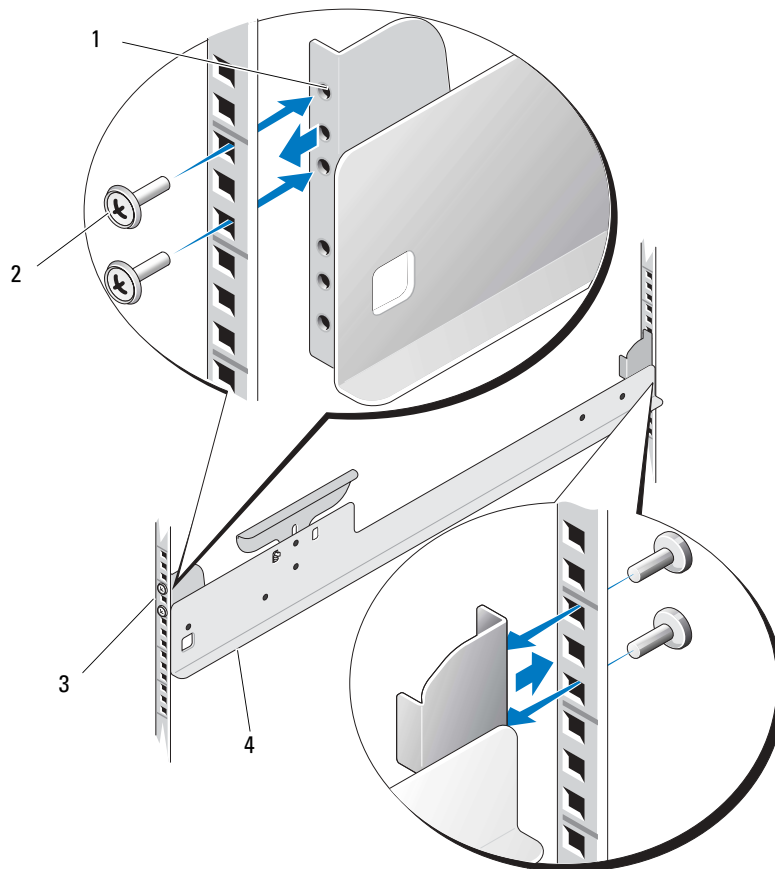
- | | | | |
|---|----------------|---|---------------|
| 1 | Mounting hooks | 3 | Front of rack |
| 2 | Blue tab | 4 | Mounting rail |

Installing the VersaRails Mounting Rails

- 1** At the front of the rack cabinet, position one of the VersaRails mounting rails so that its mounting-bracket flange fits between the marks (or numbered location) on the vertical rails (see Figure 1-6). The six holes on the front of the mounting-bracket flange should align with the holes between the marks you made on the front vertical rail.
- 2** Install two 10-32 x 0.5-inch flange-head Phillips screws in the mounting-bracket flange's top- and bottom-holes to secure the mounting rail to the front vertical rail.

- 3 At the back of the cabinet, pull back on the mounting-bracket flange until the mounting holes align with their respective holes on the back vertical rail.
- 4 Install two 10-32 x 0.5-inch flange-head Phillips screws in the back mounting-bracket flange's top- and bottom-holes to secure the mounting rail to the back vertical rail.
- 5 Repeat step 1 through step 4 for the mounting rail on the other side of the rack.
- 6 Ensure that the mounting rails are mounted at the same position on the vertical rails on each side of the rack.

Figure 1-6. Installing the VersaRails Mounting Rails



- | | | | |
|---|--|---|---------------|
| 1 | Mounting-bracket flange | 3 | Front of rack |
| 2 | 10-32 x 0.5-inch flange-head Phillips screws (4 per mounting rail) | 4 | Mounting rail |

Installing the System in the Rack

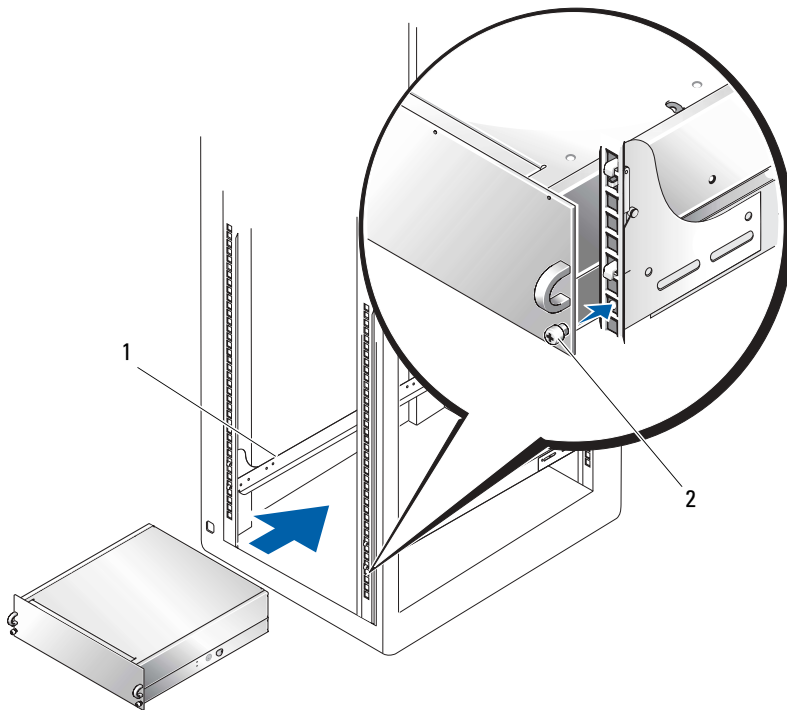
⚠ CAUTION: If you are installing more than one system, install the first system in the lowest available position in the rack.

⚠ CAUTION: Because of the size and weight of the system, never attempt to install the system in the mounting rails by yourself.

To install the system on the rack, perform the following procedure:

- 1 From the front of the rack, position the system in front of the mounting rails you installed in the rack cabinet.

Figure 1-7. Installing the System in the Rack



1 Mounting rails (2)

2 Thumbscrews (2)

- 2 Slide the system fully into the rack until the system front panel is touching the vertical rails (see Figure 1-7).
- 3 Tighten the captive thumbscrews on each side of the system's front panel (see Figure 1-7).

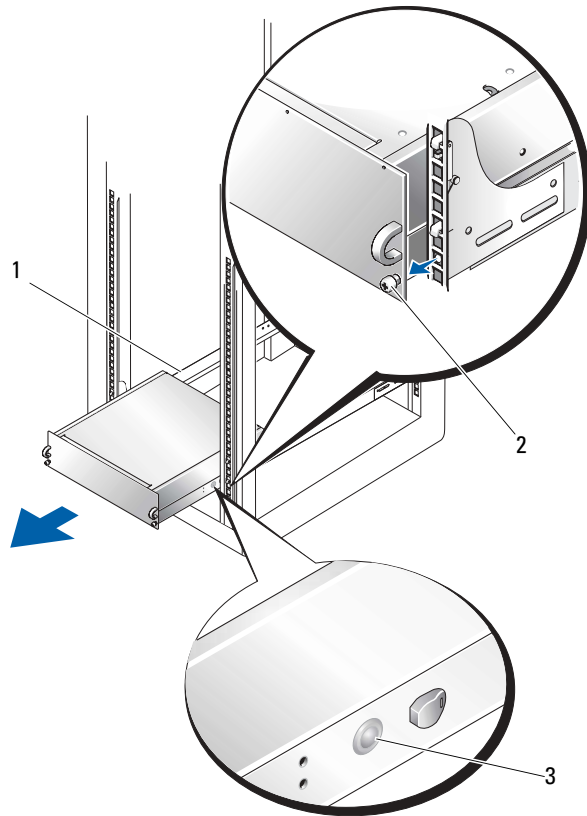
Removing the System from the Rack

⚠ CAUTION: Because of the size and weight of the system, never attempt to remove the system from the mounting rails by yourself.

To remove the system from the rack, perform the following procedure:

- 1 Turn off the system and attached peripherals, and disconnect the system from the electrical outlet.

Figure 1-8. Removing the System from the Rack



1 Mounting rails (2)

2 Thumbscrews (2)

3 Release button (2)

- 2 Disengage both thumbscrews on the front panel of the chassis.
- 3 Slowly slide the system approximately 10 inches out of the rack, or until the latches on either side of the system catch on the rectangular stop holes on the vertical rails (see Figure 1-7).
- 4 With the help of another person on the other side of the rack, depress the round release buttons (blue) on each side of the system and slide the system completely out of the rack.
- 5 Place the system on a strong, stable surface.

Replacing the Rack Doors

See the procedures for replacing doors in the documentation provided with your rack.



CAUTION: Because of the size and weight of the rack cabinet doors, never attempt to remove or install them by yourself.

This completes the rack installation of your system in a four-post rack cabinet.

Guide d'installation du rack

Remarques, avis et précautions



REMARQUE : une REMARQUE indique des informations importantes qui peuvent vous aider à mieux utiliser votre ordinateur.



AVIS : un AVIS vous avertit d'un dommage ou d'une perte de données potentiels et vous indique comment éviter ce problème.



PRÉCAUTION : une PRÉCAUTION indique un risque potentiel d'endommagement du matériel, de blessure corporelle ou de mort.

Les informations contenues dans ce document peuvent être modifiées sans préavis.

© 2005 Dell Inc. Tous droits réservés.

La reproduction de ce document de quelque manière que ce soit sans l'autorisation écrite de Dell Inc. est strictement interdite.

Marques utilisées dans ce document : *Dell*, le logo *DELL*, *RapidRails* et *VersaRails* sont des marques de Dell Inc.

Tous les autres noms de marques et marques commerciales utilisés dans ce document se rapportent aux sociétés propriétaires des marques et des noms de ces produits. Dell Inc. décline tout intérêt dans l'utilisation des marques déposées et des noms de marques ne lui appartenant pas.

Sommaire

| | |
|---|-----------|
| Consignes de sécurité | 23 |
| SÉCURITÉ : montage en rack des systèmes | 23 |
| Instructions d'installation | 24 |
| Avant de commencer | 24 |
| Informations importantes sur la sécurité. | 24 |
| Spécifications de rack requises pour les rails VersaRails | 24 |
| Installation dans un rack à quatre montants | 25 |
| Pieds stabilisateurs du rack | 25 |
| Outils et fournitures recommandés. | 25 |
| Contenu du kit RapidRails. | 26 |
| Contenu du kit VersaRails. | 26 |
| Tâches d'installation | 27 |
| Retrait des portes du rack | 28 |
| Marquage du rack | 28 |
| Installation des rails de montage dans le rack | 30 |
| Installation du système dans le rack | 33 |
| Retrait du système de l'armoire rack | 34 |
| Remise en place des portes du rack | 35 |


Consignes de sécurité

Respectez les consignes de sécurité de ce guide pour assurer votre sécurité personnelle et pour contribuer à protéger votre système et votre environnement de travail de dommages potentiels. Pour obtenir des informations complètes sur la sécurité, reportez-vous au *Guide d'information sur le produit*.


SÉCURITÉ : montage en rack des systèmes

Pour la stabilité du rack et pour votre sécurité, respectez les précautions suivantes.


Les systèmes sont considérés comme étant les composants d'un rack. Le terme “composant” fait donc référence à un système mais aussi aux différents périphériques ou matériels associés.

 **PRÉCAUTION** : avant d'installer des systèmes dans un rack autonome, installez d'abord les pieds stabilisateurs avant et latéraux. Pour plusieurs racks associés, installez d'abord les pieds stabilisateurs avant. L'installation de systèmes dans un rack non équipé de pieds stabilisateurs peut provoquer son basculement et entraîner des blessures. Installez toujours les pieds stabilisateurs du rack avant d'ajouter des composants dans celui-ci.

 **PRÉCAUTION** : après avoir installé des composants dans un rack, ne faites jamais coulisser hors du rack plus d'un composant à la fois. Le poids de plusieurs composants sortis du rack risquerait de le faire basculer et de blesser quelqu'un gravement.

 **REMARQUE** : le système est certifié sur le plan de la sécurité en tant qu'unité autonome et en tant que composant destiné à être utilisé dans une armoire rack Dell, à l'aide du kit de rack client. L'installation du système et du kit d'installation en rack dans une autre armoire n'a reçu aucune homologation des organismes de certification de la sécurité. Il vous incombe de veiller à ce que la combinaison finale système et rack soit conforme à toutes les normes de sécurité en vigueur ainsi qu'aux normes électriques locales. Dell décline toute responsabilité et toutes garanties liées à ce type de combinaisons.

- Les kits de racks sont destinés à être installés par des techniciens expérimentés dans un rack homologué. Si vous installez ce kit dans un autre rack, assurez-vous que ce dernier possède les mêmes spécifications qu'un rack Dell.

 **PRÉCAUTION** : ne déplacez pas de rack sans aide. En raison de la hauteur et du poids du rack, cette tâche doit être réalisée par deux personnes au minimum.

- Avant de travailler sur le rack, vérifiez que les pieds stabilisateurs sont fixés au rack, qu'ils touchent le sol et que tout le poids du rack repose sur le sol. Avant d'intervenir sur un rack isolé, installez d'abord les pieds stabilisateurs avant et latéraux. Pour plusieurs racks associés, installez d'abord les pieds stabilisateurs avant.
- Chargez le rack du bas vers le haut, en plaçant toujours l'élément le plus lourd en premier.
- Agissez avec précaution lorsque vous appuyez sur les loquets de dégagement des rails pour insérer ou retirer un composant. Veillez notamment à ne pas coincer vos doigts dans les rails coulissants.
- Après avoir inséré un composant dans le rack, tirez doucement le rail jusqu'au point de blocage, puis faites glisser le composant dans le rack.
- Ne surchargez pas le circuit d'alimentation secteur du rack. La consommation totale du rack ne doit pas dépasser 80 % de la capacité du circuit.
- Assurez-vous que les éléments installés dans le rack sont suffisamment ventilés.
- Ne montez pas sur un composant lorsque vous intervenez sur d'autres composants du rack.


Instructions d'installation


Ce guide contient les instructions relatives à l'installation d'un ou de plusieurs systèmes dans une armoire rack à quatre montants. Le kit de rack RapidRails™ peut être installé sans outils dans toutes les armoires rack du fabricant du système ; le kit de rack VersaRails™ peut être installé dans la plupart des armoires rack aux normes industrielles. Les procédures d'installation des kits RapidRails et VersaRails sont similaires. Un kit de rack est nécessaire pour chaque système devant être installé dans l'armoire.

Avant de commencer

Avant de commencer l'installation du système dans le rack, lisez attentivement la section “Consignes de sécurité” située au début de ce guide. Pour obtenir des informations supplémentaires, lisez également les consignes de sécurité du *Guide d'information sur le produit*.


 **PRÉCAUTION** : lorsque vous installez plusieurs systèmes dans un rack, effectuez toutes les procédures s'appliquant au système en cours avant d'essayer d'installer le système suivant.


 **PRÉCAUTION** : les armoires rack peuvent être extrêmement lourdes, mais leurs roulettes permettent un déplacement facile. Elles ne sont pas équipées de freins. Procédez avec la plus grande prudence pour déplacer un rack. Rentrez ses pieds réglables lorsque vous le changez d'emplacement. Évitez de déplacer le rack le long de rampes ou de plans inclinés trop longs ou trop abrupts, sur lesquels l'armoire pourrait vous échapper. Ressortez les pieds réglables lorsqu'il est nécessaire de soutenir l'armoire ou pour lui éviter de glisser sur ses roulettes.

 **REMARQUE** : pour plus d'informations sur l'installation du système proprement dit, voir la section “Installation du système dans le rack”.


Informations importantes sur la sécurité

Respectez les précautions décrites dans les sous-sections suivantes lors de l'installation du système dans le rack.

 **PRÉCAUTION** : vous devez respecter à la lettre les procédures de ce document afin de garantir votre propre protection ainsi que celle d'autrui. Le système peut être très lourd et volumineux. Une préparation et une planification adéquates sont donc importantes afin d'éviter tout risque de blessure pour vous-même ou autrui. Ces précautions prennent d'autant plus d'importance au fur et à mesure que le rack est rempli, de bas en haut.

 **PRÉCAUTION** : n'installez pas de kits prévus pour un autre système. Si vous employez le kit d'un autre système, vous risquez d'endommager le système et d'exposer autrui et vous-même à des risques de blessures.

Spécifications de rack requises pour les rails VersaRails

 **AVIS** : le kit VersaRails est prévu pour être installé par des techniciens de maintenance qualifiés dans un rack conforme aux spécifications des organismes suivants : American National Standards Institute (ANSI)/Electronic Industries Association (EIA) standard ANSI/EIA-310-D-92, International Electrotechnical Commission (IEC) 297 et Deutsche Industrie Norm (DIN) 41494. Un kit est nécessaire pour chaque système installé dans un rack.

Installation dans un rack à quatre montants

Avant de commencer l'installation, lisez attentivement l'intégralité de la procédure.

Pieds stabilisateurs du rack



PRÉCAUTION : avant d'installer des systèmes dans un rack autonome, installez d'abord les pieds stabilisateurs avant et latéraux. Pour plusieurs racks associés, installez d'abord les pieds stabilisateurs avant. L'installation de systèmes dans un rack non équipé de pieds stabilisateurs peut provoquer son basculement et entraîner des blessures. Installez toujours les pieds stabilisateurs du rack avant d'ajouter des composants dans celui-ci.

Les pieds stabilisateurs évitent au rack de basculer. Consultez la documentation fournie avec l'armoire rack pour savoir comment installer et fixer les pieds stabilisateurs.

Outils et fournitures recommandés

Vous avez besoin des fournitures et des outils suivants pour installer le système dans une armoire rack à quatre montants :

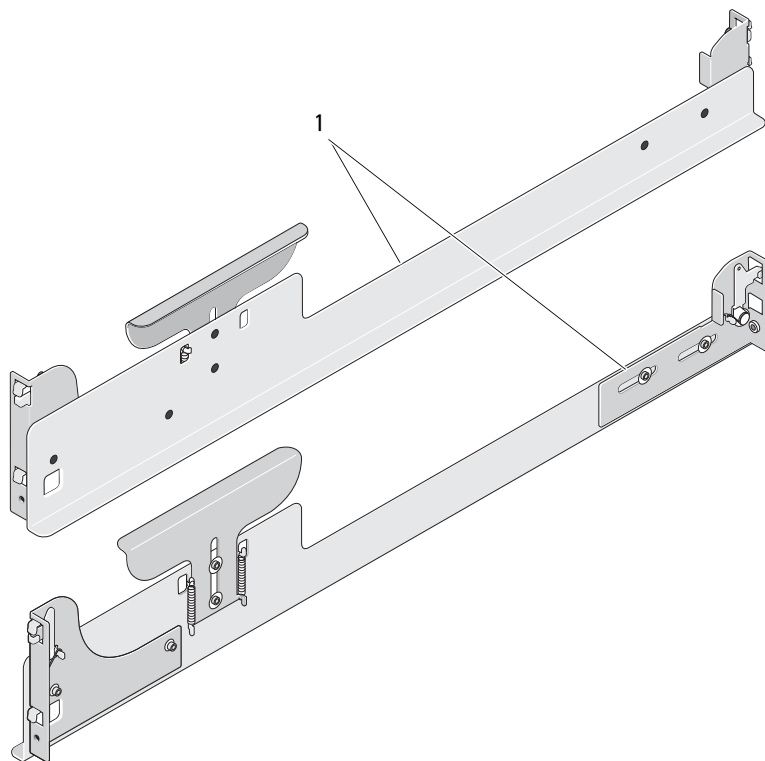
- Tournevis cruciforme n°2
- Bande adhésive ou stylo feutre pour marquer les trous de montage à utiliser

Contenu du kit RapidRails

Le kit RapidRails contient les éléments suivants :

- Une paire de rails de montage RapidRails

Figure 1-1. Contenu du kit du rack RapidRails



1 Rails de montage (2)

Contenu du kit VersaRails

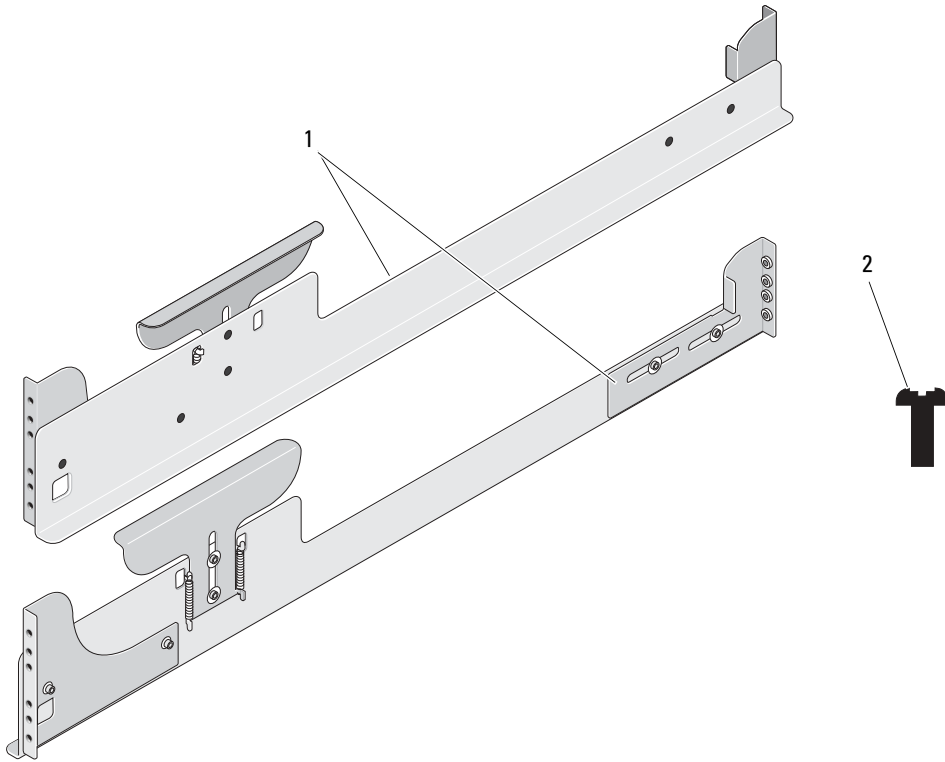
Le kit VersaRails contient les éléments suivants :

- Une paire de rails de montage VersaRails
- Vis cruciformes à tête plate 10-32 x 0,5 pouce (8)



REMARQUE : les vis au pas non métrique décrites dans les illustrations et dans les étapes des procédures sont identifiées par la taille et le nombre de filets par pouce. Par exemple, une vis à tête cruciforme n° 10 avec 32 filets par pouce est désignée par l'appellation vis 10-32.

Figure 1-2. Contenu du kit VersaRails



1 Rails de montage (2)

2 Vis cruciformes à tête plate 10-32 x 0,5 pouce (8)

Tâches d'installation

Pour installer un kit, vous devez effectuer dans l'ordre indiqué les tâches suivantes, décrites plus loin dans ce guide :

- 1 Retrait des portes du rack
- 2 Marquage du rack
- 3 Installation des rails de montage dans le rack
 - Installation du kit RapidRails
 - Installation du kit VersaRails
- 4 Installation du système dans le rack
- 5 Remise en place des portes du rack

Retrait des portes du rack

Consultez les procédures de retrait des portes dans la documentation fournie avec votre armoire rack.

⚠ PRÉCAUTION : compte tenu de leur poids et de leur taille, ne retirez ou n'installez jamais les portes sans l'assistance d'une autre personne.

⚠ PRÉCAUTION : stockez les portes dans un endroit sûr où elles ne risquent pas de tomber accidentellement et de blesser quelqu'un.

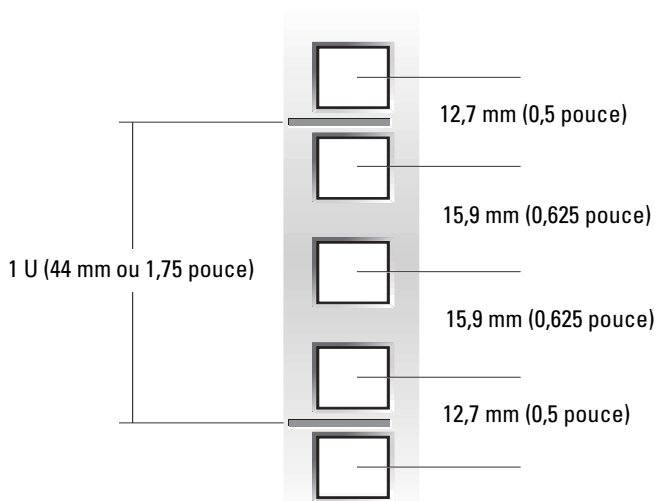
Marquage du rack

Pour un système de 3 U, vous devez compter un espace vertical de 13,2 cm (5,25 pouces) pour chaque système installé dans le rack.

Les racks conformes aux normes EIA-310 comportent des séries alternées de trois trous par unité. L'espacement entre les trous, mesuré de centre à centre (en commençant par le trou supérieur) est respectivement de 15,9 mm, 15,9 mm et 12,7 mm (0,625 pouce, 0,625 pouce et 0,5 pouce) pour les rails verticaux avant et arrière (voir la figure 1-3). Les armoires rack peuvent comporter des trous ronds ou carrés.

🔍 REMARQUE : les rails verticaux peuvent être marqués par des lignes horizontales et des chiffres progressant par incréments de 1 U. Si vous le souhaitez, vous pouvez noter le numéro figurant sur le rail vertical du rack. Dans ce cas, il n'est pas nécessaire de marquer le rack ou d'y apposer un morceau de bande adhésive.

Figure 1-3. Unité

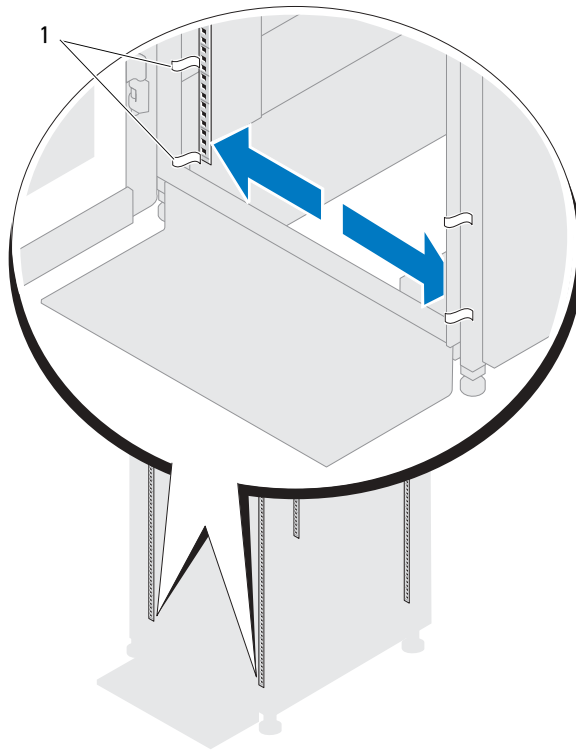


⚠ PRÉCAUTION : si vous installez plusieurs systèmes, installez les rails de montage de façon que le premier système soit placé le plus bas possible dans le rack.

Pour marquer le rack, procédez comme suit :

- 1 Placez une marque au stylo feutre (ou de la bande adhésive) sur les rails verticaux avant du rack, à l'endroit correspondant au bas du système à installer.
Le bas de chaque espace 1 U se trouve au milieu de la zone métallique la plus étroite entre les trous (repérée par une ligne horizontale sur certaines armoires rack ; voir la figure 1-3).
- 2 Placez une seconde marque à 13,2 cm (5,25 pouces) au-dessus de la première (ou comptez 9 trous pour un rack aux normes EIA-310). Cette marque indique l'emplacement du haut du système sur les rails verticaux (voir la figure 1-4).

Figure 1-4. Marquage des rails verticaux



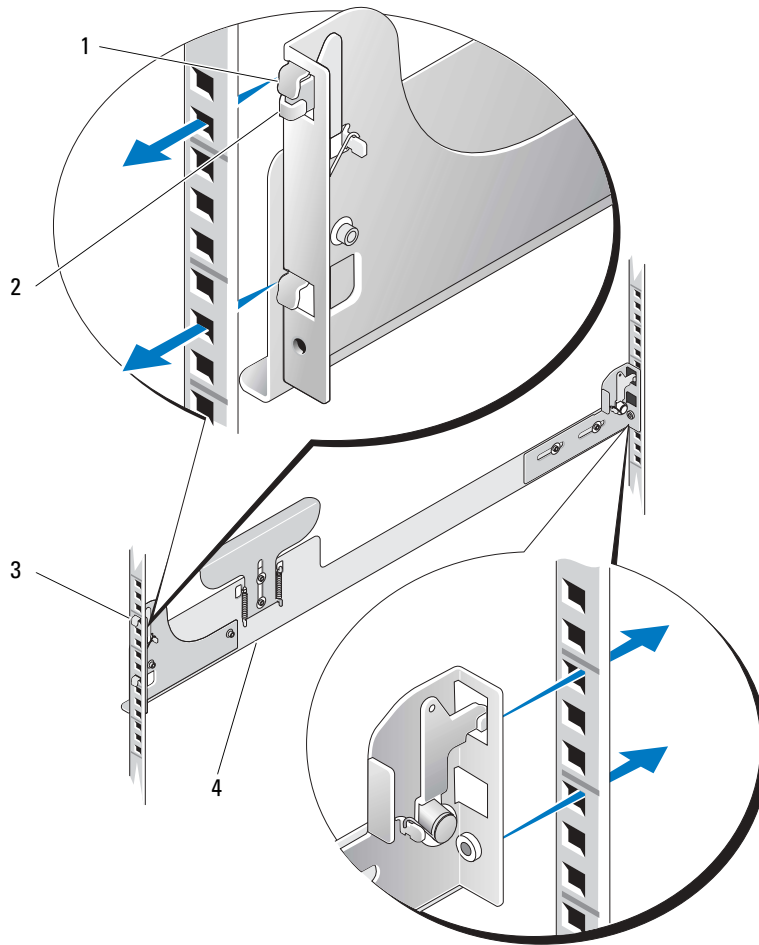
1 Bande apposée sur le rail vertical

Installation des rails de montage dans le rack

Installation des rails de montage RapidRails

- 1** A l'avant du rack, positionnez l'un des rails RapidRails de façon que sa plaque de fixation soit située entre les marques ou la bande adhésive (ou l'emplacement numéroté) sur les rails verticaux (voir la figure 1-5).
Le crochet supérieur de la plaque de fixation avant doit passer dans le trou supérieur situé entre les marques des rails verticaux.
- 2** Poussez le rail vers l'avant jusqu'à ce que les crochets de montage soient positionnés dans les trous carrés. Ensuite, appuyez sur la plaque de fixation jusqu'à ce que les crochets de montage s'emboîtent et que la patte bleue sur le crochet du haut ressorte avec un déclic (voir la figure 1-5).
- 3** À l'arrière de l'armoire, tirez la plaque de fixation jusqu'à ce que les crochets de montage soient positionnés dans les trous carrés. Appuyez ensuite sur la plaque jusqu'à ce que les crochets s'emboîtent et que la patte bleue ressorte avec un déclic.
- 4** Répétez la procédure, de l'étape 1 à l'étape 3, pour le rail de montage situé de l'autre côté du rack.
- 5** Vérifiez que les rails de montage sont montés à la même position verticale de chaque côté du rack.

Figure 1-5. Installation des rails de montage RapidRails



- | | | | |
|---|------------------------|---|-----------------|
| 1 | Crochets de montage | 3 | Avant du rack |
| 2 | Patte de couleur bleue | 4 | Rail de montage |

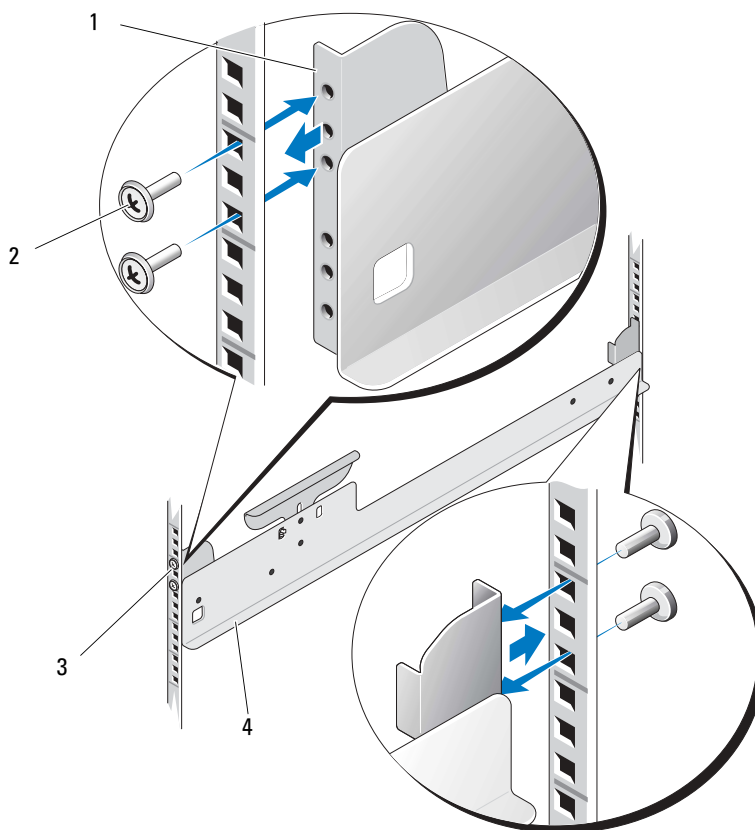
Installation des rails de montage VersaRails

- 1 À l'avant du rack, positionnez l'un des rails VersaRails de façon que sa plaque de fixation soit située entre les marques ou la bande adhésive (ou l'emplacement numéroté) sur les rails verticaux (voir la figure 1-6).

Les six trous à l'avant de la plaque de fixation doivent correspondre aux trous entre les marques que vous avez faites sur le rail vertical avant.

- 2 Insérez deux vis cruciformes 10-32 x 0,5 pouce dans les trous du haut et du bas de la plaque afin de fixer le rail coulissant au rail vertical avant.
- 3 À l'arrière de l'armoire, tirez sur la plaque de fixation jusqu'à ce que les trous de montage s'alignent avec les trous correspondants du rail vertical arrière.
- 4 Insérez deux vis cruciformes 10-32 x 0,5 pouce dans les trous du haut et du bas de la plaque de fixation afin de fixer le rail de montage au rail vertical arrière.
- 5 Répétez la procédure, de l'étape 1 à l'étape 4, pour le rail de montage situé de l'autre côté du rack.
- 6 Vérifiez que les rails sont montés à la même hauteur sur les rails verticaux de chaque côté du rack.

Figure 1-6. Installation des rails de montage VersaRails



- | | | | |
|---|---|---|-----------------|
| 1 | Plaque de fixation | 3 | Avant du rack |
| 2 | Vis cruciformes à tête plate 10-32 x 0,5 pouce (4 par rail de montage) | 4 | Rail de montage |

Installation du système dans le rack

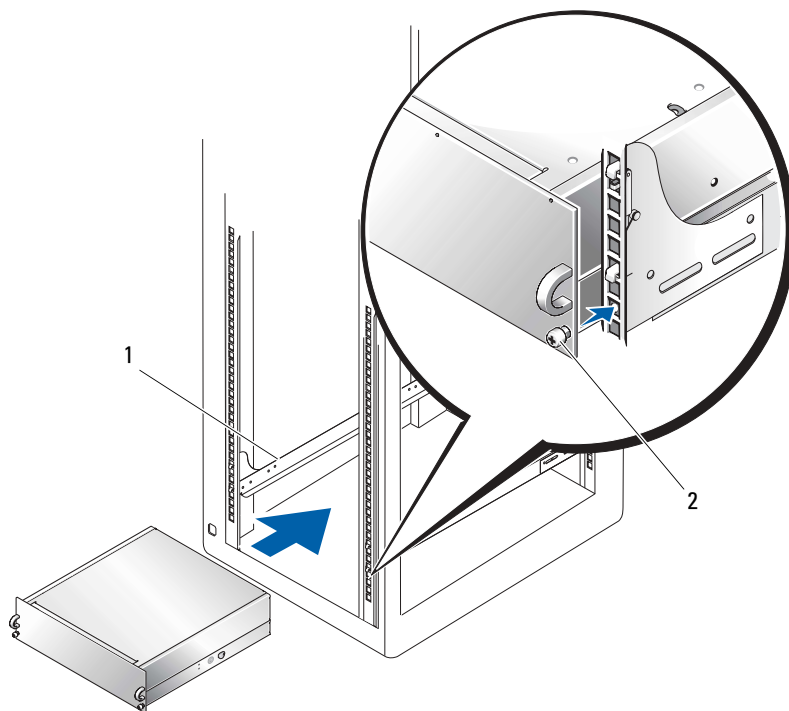
⚠ PRÉCAUTION : si vous installez plusieurs systèmes, installez le premier le plus bas possible dans le rack.

⚠ PRÉCAUTION : en raison de la taille et du poids du système, ne tentez jamais de l'installer seul dans les rails de montage.

Pour installer le système dans le rack, procédez comme suit :

- 1 Placez-vous à l'avant du rack et positionnez le système devant les rails de montage installés.

Figure 1-7. Installation du système dans le rack



- 1 Rails de montage (2) 2 Vis moletées (2)

- 2 Faites glisser le système dans le rack jusqu'à ce que le panneau avant du système touche les rails verticaux (voir la figure 1-7).
- 3 Serrez les vis moletées imperdables situées de chaque côté du panneau avant du système (voir la figure 1-7).

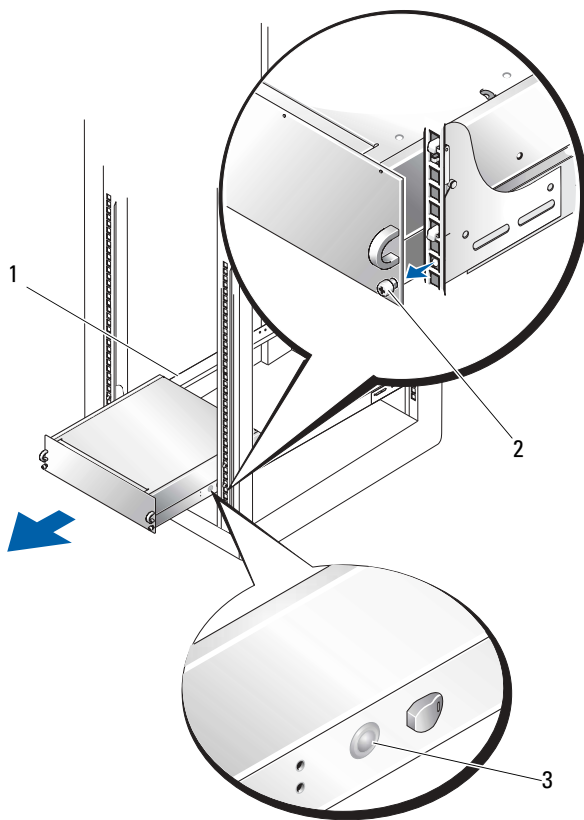
Retrait du système de l'armoire rack

⚠ PRÉCAUTION : en raison de la taille et du poids du système, ne tentez jamais de le retirer des rails de montage sans vous faire aider.

Pour retirer le système du rack, procédez comme suit :

- 1 Éteignez le système et les périphériques connectés, puis débranchez-le de la prise de courant.

Figure 1-8. Retrait du système de l'armoire rack



1 Rails de montage (2)

2 Vis moletées (2)

3 Bouton d'éjection (2)

- 2 Desserrez les deux vis moletées situées sur le panneau avant du châssis.
- 3 Tirez doucement le système hors du rack sur environ 25 cm (10 pouces) ou jusqu'à ce que les loquets situés de chaque côté du système s'emboîtent dans les trous d'arrêt rectangulaires des rails verticaux (voir la figure 1-7).
- 4 En vous faisant aider par une autre personne placée de l'autre côté du rack, appuyez sur les boutons d'éjection ronds de couleur bleue situés de chaque côté du système, puis retirez le système du rack.
- 5 Posez le système sur une surface stable et solide.

Remise en place des portes du rack

Reportez-vous aux procédures de remise en place des portes dans la documentation fournie avec votre rack.



PRÉCAUTION : compte tenu de leur poids et de leur taille, ne retirez ou n'installez jamais les portes sans l'assistance d'une autre personne.

L'installation du système dans une armoire rack à quatre montants est maintenant terminée.

Rack-Installationsanleitung

Anmerkungen, Hinweise und Warnungen



ANMERKUNG: Eine ANMERKUNG macht auf wichtige Informationen aufmerksam, die die Arbeit mit dem Computer erleichtern.



HINWEIS: Ein HINWEIS warnt vor möglichen Beschädigungen der Hardware oder vor Datenverlust und zeigt auf, wie derartige Probleme vermieden werden können.



VORSICHT: Hiermit werden Sie auf Gefahrenquellen hingewiesen, die materielle Schäden, Verletzungen oder sogar den Tod von Menschen zur Folge haben können.

Irrtümer und technische Änderungen vorbehalten.

© 2005 Dell Inc. Alle Rechte vorbehalten.

Jegliche Reproduktion dieses Dokuments ohne schriftliche Genehmigung von Dell Inc. ist streng untersagt.

Marken in diesem Text: *Dell*, das *DELL* Logo, *RapidRails* und *VersaRails* sind Marken von Dell Inc.

Alle anderen in dieser Dokumentation genannten Marken und Handelsbezeichnungen beziehen Sie auf die entsprechenden Hersteller bzw. deren Produkte. Dell Inc. erhebt keinen Anspruch auf Marken und Handelsbezeichnungen mit Ausnahme der eigenen.

Inhalt

| | |
|---|-----------|
| Sicherheitshinweise | 41 |
| SICHERHEIT: Montieren von Systemen im Rack | 41 |
| Installationsanleitung | 42 |
| Bevor Sie beginnen | 42 |
| Wichtige Sicherheitshinweise | 42 |
| Rack-Anforderungen für VersaRails | 43 |
| Montage in einem Rack mit vier Stützen | 43 |
| Rack-Stabilisatoren | 43 |
| Empfohlene Werkzeuge und Zubehör | 43 |
| Inhalt des RapidRails-Rack-Kits | 44 |
| Inhalt des VersaRails-Rack-Kits | 44 |
| Ablauf der Installation | 45 |
| Abnehmen der Rack-Türen | 46 |
| Markieren des Racks | 46 |
| Installation der Montageschienen im Rack | 48 |
| Installation des Systems im Rack | 51 |
| Entfernen des Systems aus dem Rack | 52 |
| Wiederanbringen der Rack-Türen | 53 |


Sicherheitshinweise

Beachten Sie die nachfolgenden Sicherheitshinweise, um Ihre eigene Sicherheit zu gewährleisten und eine Beschädigung des Systems und der Arbeitsumgebung zu vermeiden. Vollständige Informationen über die Sicherheitsanforderungen finden Sie im *Produktinformationshandbuch*.


SICHERHEIT: Montieren von Systemen im Rack

Beachten Sie die folgenden Vorsichtsmaßnahmen für die Stabilität und Sicherheit des Racks.

Systeme gelten als Komponenten in einem Rack. Der Begriff „Komponente“ bezieht sich also auf ein beliebiges System oder auch Peripheriegeräte und Zusatzhardware.

 **VORSICHT:** Bevor Sie Systeme in einem Rack einsetzen, installieren Sie bei frei stehenden Racks die vorderen und seitlichen Stabilisatoren und bei Racks, die mit anderen Racks verbunden sind, die vorderen Stabilisatoren. Wenn vor dem Einsetzen von Systemen in einem Rack keine Stabilisatoren angebracht werden, kann das Rack unter Umständen umkippen und Verletzungen verursachen. Befestigen Sie daher immer zuerst die Stabilisatoren, bevor Sie Komponenten im Rack installieren.

 **VORSICHT:** Ziehen Sie nach dem Einsetzen von Komponenten in einem Rack niemals mehr als eine Komponente gleichzeitig auf ihren Gleitschienen aus dem Rack. Durch das Gewicht von mehr als einer Komponente kann das Rack umkippen und Verletzungen verursachen.

 **ANMERKUNG:** Das System ist als frei stehende Einheit und für die Verwendung als Komponente in einem Dell-Rack unter Verwendung des kundenseitigen Rack-Kits sicherheitszertifiziert. Die Installation des Systems und des Rack-Kits in anderen Gestellschränken ist von keiner Prüfbehörde abgenommen. Sie sind selbst dafür verantwortlich, dass die endgültige Kombination von System und Rack alle geltenden Sicherheitsstandards und die lokalen elektrischen Richtlinien erfüllt. Dell übernimmt keinerlei Haftung und Gewährleistung für derartige Kombinationen.

- System-Rack-Kits sollten von geschulten Servicetechnikern in einem zugelassenen Rack installiert werden. Wenn Sie das Kit in einem anderen Rack installieren, vergewissern Sie sich, dass das Rack die Spezifikationen eines Dell-Racks erfüllt.

 **VORSICHT:** Große Racks dürfen nicht von einer Person allein bewegt werden. Wegen der Höhe und des Gewichts des Racks sollte diese Arbeit mit mindestens zwei Personen durchgeführt werden.

- Bevor Sie an einem Rack arbeiten, vergewissern Sie sich, dass die Stabilisatoren sicher am Rack befestigt sind, fest auf dem Boden aufliegen und dass das gesamte Gewicht des Racks auf dem Boden lastet. Montieren Sie an einem einzelnen Rack die vorderen und seitliche Stabilisatoren, an mehreren miteinander verbundenen Racks die vordere Stabilisatoren, bevor Sie Arbeiten am Rack durchführen.
- Bestücken Sie das Rack immer von unten nach oben, und setzen Sie die schwerste Komponente zuerst ein.
- Es besteht Quetschgefahr für die Finger, wenn Sie auf die Schienenverriegelung der Komponente drücken und eine Komponente in das Rack schieben oder herausziehen.
- Wenn Sie eine Komponente in das Rack eingesetzt haben, ziehen Sie die Schienen vorsichtig in die Verriegelungsposition heraus und schieben Sie dann die Komponente in das Rack.


- Überlasten Sie nicht den Wechselstromkreis, über den das Rack mit Strom versorgt wird. Die Gesamtlast des Racks sollte 80 Prozent der Nennbelastbarkeit des Stromkreises nicht überschreiten.
- Überprüfen Sie, ob eine ausreichende Luftzufuhr zu den Komponenten im Rack gewährleistet ist.
- Treten Sie nicht auf Komponenten oder stellen sich darauf, wenn Sie an anderen Komponenten in einem Rack Arbeiten durchführen.


Installationsanleitung

In diesem Dokument erhalten Sie Anweisungen zur Installation von einem oder mehreren Systemen in einem Gestellschrank mit vier Stützen. Das RapidRails™ Rack-Kit lässt sich ohne Werkzeuge in allen Gestellschränken des Systemherstellers montieren, und das VersaRails™ Rack-Kit lässt sich in den meisten Standardgestellschränken installieren. Die Montage der RapidRails- und VersaRails-Rack-Kits verläuft ähnlich. Für jedes im Rack installierte System wird ein Rack-Kit benötigt.

Bevor Sie beginnen

Bevor Sie mit der Installation des Systems im Rack beginnen, lesen Sie sorgfältig die „Sicherheitshinweise“ weiter oben in diesem Dokument. Weitere Informationen finden Sie bei den Sicherheitshinweisen im *Product Information Guide* (Produktinformationshandbuch).


 **VORSICHT:** Wenn Sie mehrere Systeme in einem Rack installieren, schließen Sie alle Maßnahmen für ein System ab, bevor Sie das nächste System installieren.

 **VORSICHT:** Racks können sehr schwer sein und leicht wegrollen. Sie sind nicht mit Bremsen ausgestattet. Bewegen Sie ein Rack nur mit größter Vorsicht. Fahren Sie die höhenverstellbaren Füße ein, bevor Sie ein Rack bewegen. Vermeiden Sie lange bzw. steile Neigungen oder Rampen, auf denen Sie die Kontrolle über das Rack verlieren könnten. Fahren Sie die höhenverstellbaren Füße aus, damit das Rack abgestützt wird und nicht wegrollen kann.

 **ANMERKUNG:** Wie das System selbst installiert wird, erfahren Sie unter „Installation des Systems im Rack“.


Wichtige Sicherheitshinweise

Beachten Sie beim Einbau des Systems im Rack die Sicherheitsmaßnahmen in den folgenden Unterabschnitten.

 **VORSICHT:** Befolgen Sie die in diesem Dokument angegebene Vorgehensweise genau, um sich selbst und andere Personen nicht zu gefährden. Das System ist möglicherweise sehr groß und schwer. Sie sollten die Installation sorgfältig vorbereiten und planen, um Verletzungen vorzubeugen. Diese Vorkehrungen gelten umso mehr, wenn Systeme oben im Rack installiert werden.

 **VORSICHT:** Installieren Sie keine Rack-Kit-Komponenten, die für andere Systeme vorgesehen sind. Verwenden Sie ausschließlich das für das System vorgesehene Rack-Kit. Wenn Sie das Rack-Kit für ein anderes System verwenden, könnte das System beschädigt und Sie selbst oder andere Personen verletzt werden.


Rack-Anforderungen für VersaRails

-  **HINWEIS:** Das VersaRails-Rack-Kit ist zur Installation durch geschulte Servicetechniker in einem Rack vorgesehen, das den Spezifikationen ANSI/EIA-310-D-92 (American National Standards Institute bzw. Electronic Industries Association), IEC 297 (International Electrotechnical Commission) und der DIN 41494 (Deutsches Institut für Normung) entspricht. Für jedes in einem Rack montierte System wird ein Rack-Kit benötigt.

Montage in einem Rack mit vier Stützen

Bevor Sie mit der Installation beginnen, lesen Sie diese Anleitung sorgfältig durch.

Rack-Stabilisatoren

-  **VORSICHT:** Bevor Sie Systeme in einem Rack einsetzen, installieren Sie bei frei stehenden Racks die vorderen und seitlichen Stabilisatoren und bei Racks, die mit anderen Racks verbunden sind, die vorderen Stabilisatoren. Wenn vor dem Einsetzen von Systemen in einem Rack keine Stabilisatoren angebracht werden, kann das Rack unter Umständen umkippen und Verletzungen verursachen. Befestigen Sie daher immer zuerst die Stabilisatoren, bevor Sie Komponenten im Rack installieren.

Die Stabilisatoren verhindern das Umkippen des Racks. Anleitungen zur Installation und Befestigung der Stabilisatoren finden Sie in der mit dem Gestellschrank gelieferten Dokumentation.

Empfohlene Werkzeuge und Zubehör

Sie benötigen eventuell folgende Hilfsmittel zur Installation des Systems in einem Rack mit vier Stützen:

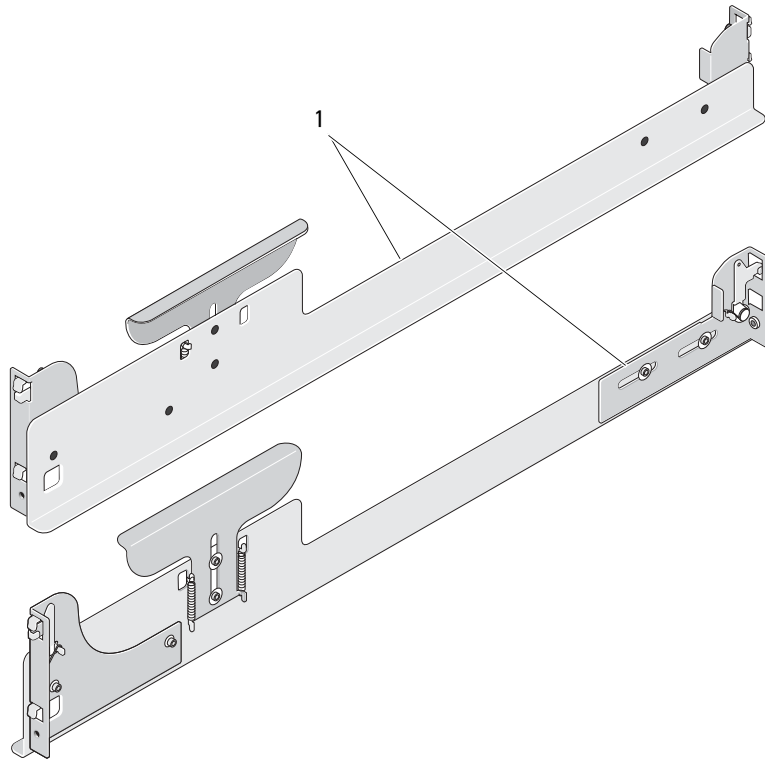
- Kreuzschlitzschraubendreher der Größe 2
- Klebeband oder Filzstift (zum Markieren der Montagelöcher während der Installation)

Inhalt des RapidRails-Rack-Kits

Das RapidRails-Rack-Kit enthält folgende Teile:

- Ein Paar RapidRails-Montageschienen

Abbildung 1-1. Inhalt des RapidRails-Rack-Kits



1 Montageschienen (2)

Inhalt des VersaRails-Rack-Kits

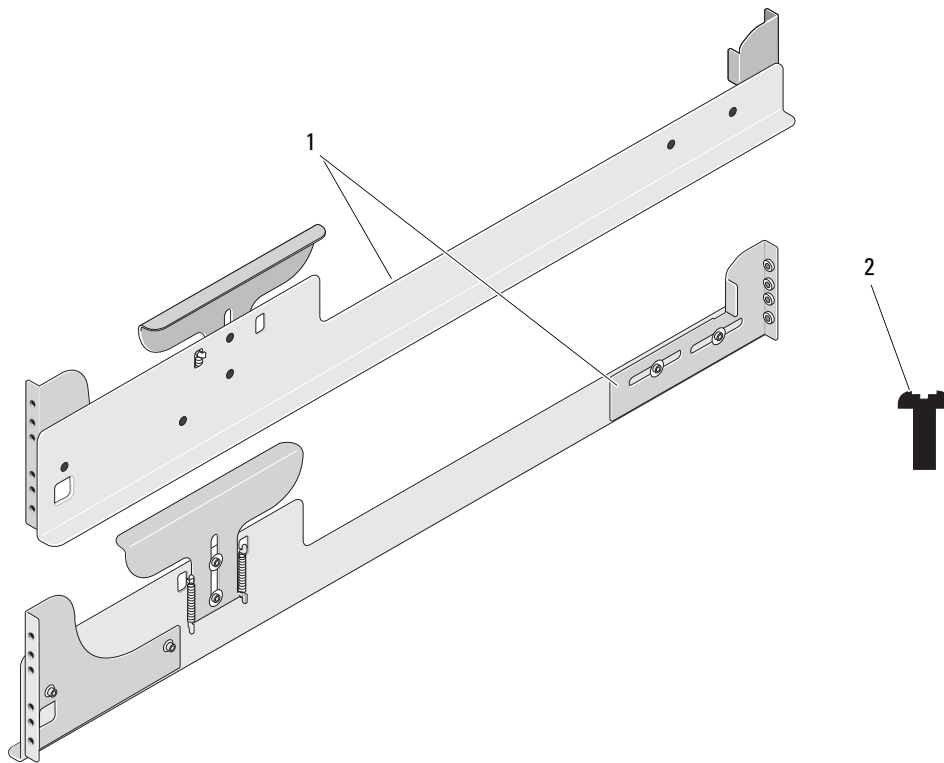
Das VersaRails-Rack-Kit enthält folgende Teile:

- Ein Paar VersaRails-Montageschienen
- 10-32 x 0,5-Zoll Kreuzschlitzbundsrauben (8)



ANMERKUNG: Die in den Abbildungen und Anweisungen genannten nichtmetrischen Schrauben werden nach ihrer Größe und der Anzahl der Windungen pro Zoll bezeichnet. So wird z. B. eine Kreuzschlitzschraube Nr. 10 mit 32 Windungen pro Zoll als 10-32-Schraube bezeichnet.

Abbildung 1-2. Inhalt des VersaRails-Rack-Kits



1 Montageschienen (2)

2 10-32 x 0,5-Zoll Kreuzschlitzbundschrauben (8)

Ablauf der Installation

Bei der Montage eines Rack-Kits sind die folgenden Arbeitsschritte (ausführlich in den nächsten Abschnitten beschrieben) nacheinander auszuführen:

- 1 Abnehmen der Rack-Türen
- 2 Markieren des Racks
- 3 Installation der Montageschienen im Rack
 - Installation von RapidRails
 - Installation von VersaRails
- 4 Installation des Systems im Rack
- 5 Wiederanbringen der Rack-Türen

Abnehmen der Rack-Türen

Siehe Vorgehensweise zum Entfernen der Türen in der Dokumentation des Racks.

⚠ VORSICHT: Da die Rack-Türen sehr groß und schwer sind, versuchen Sie niemals, die Türen ohne fremde Hilfe abzunehmen oder einzubauen.

⚠ VORSICHT: Stellen Sie die Türen so ab, dass niemand verletzt wird, wenn diese versehentlich umfallen.

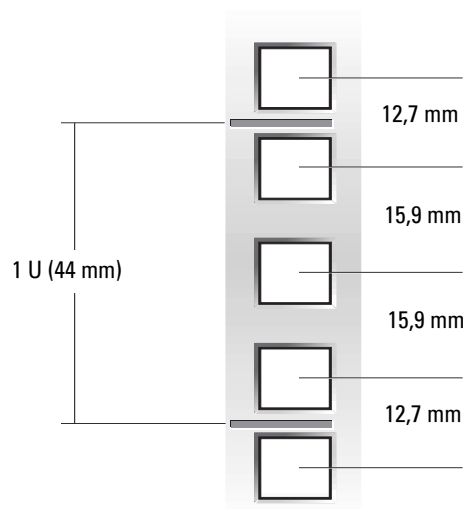
Markieren des Racks

Bei einem 3-U-System benötigen Sie für jedes System, das Sie im Rack installieren, einen vertikalen Abstand von 3 U (entspricht 132 mm).

Gestellschränke nach EIA-310-Norm besitzen ein sich wiederholendes Muster aus drei Löchern pro Rack-Einheit, deren Mittenabstand zueinander (beginnend mit dem oberen Loch einer 1-U-Einheit) 15,9 mm, 15,9 mm und 12,7 mm an den vorderen und hinteren vertikalen Schienen beträgt (siehe Abbildung 1-3). Die Racks haben meist runde oder rechteckige Löcher.

🔍 ANMERKUNG: Die vertikalen Schienen sind eventuell in Abständen von 1 U mit horizontalen Linien und Zahlen markiert. Sie können sich die Nummer der Markierung auf der vertikalen Schiene notieren. So brauchen Sie keine zusätzlichen Markierungen oder Klebeband am Rack anzubringen.

Abbildung 1-3. Eine Rack-Einheit

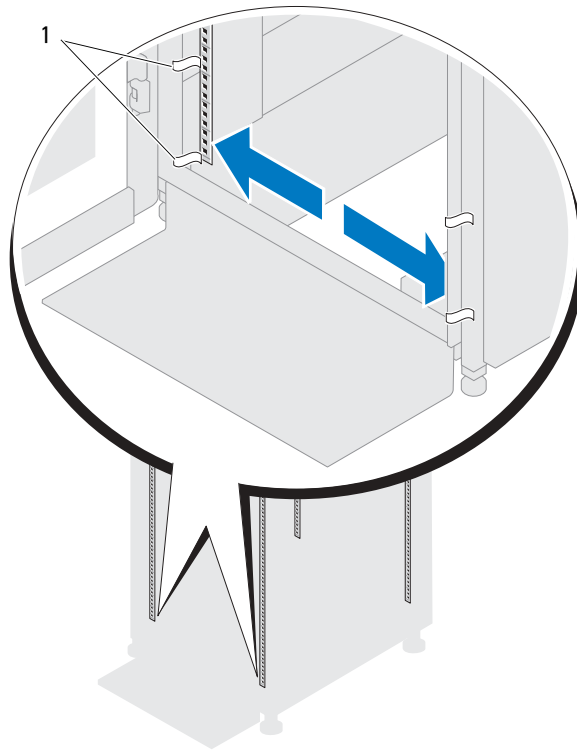


⚠ VORSICHT: Wenn Sie mehr als ein System einsetzen wollen, installieren Sie die Montageschienen so, dass sich das erste System möglichst weit unten im Rack befindet.

Gehen Sie zum Markieren des Racks wie folgt vor:

- 1 Bringen Sie mit einem Filzstift oder Klebeband auf den vorderen vertikalen Schienen des Racks eine Markierung an der Stelle an, an der sich die Unterseite des zu installierenden Systems befinden soll.
Die Unterkante jeder 1-U-Einheit befindet sich in der Mitte des schmalsten Metallstücks zwischen den Löchern (bei einigen Racks mit einer horizontalen Linie gekennzeichnet, siehe Abbildung 1-3).
- 2 Bringen Sie 132 mm oberhalb der ersten Markierung eine zweite Markierung an (oder zählen Sie neun Löcher nach oben, falls es sich um ein Rack nach EIA-310-Norm handelt). Damit ist die obere Systemkante auf den vertikalen Schienen markiert (siehe Abbildung 1-4).

Abbildung 1-4. Vertikale Schienen markieren



1 Klebeband auf der vertikalen Schiene

Installation der Montageschienen im Rack

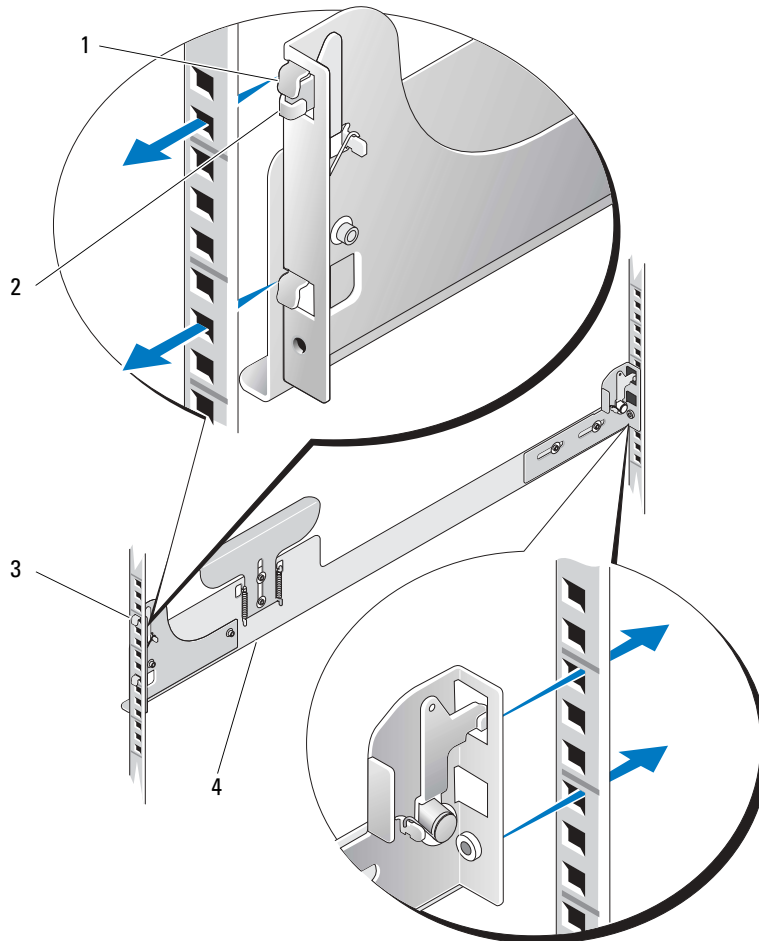
Installation der RapidRails-Montageschienen

- 1** Setzen Sie eine der RapidRails-Montageschienen so an der Vorderseite des Gestellschranks an, dass der entsprechende Montagehalterungsflansch zwischen die Markierungen bzw. Klebebänder (oder an die Markierung mit der richtigen Zahl) an den vertikalen Schienen zu liegen kommt (siehe Abbildung 1-5).

Der obere Montagehaken am vorderen Montagehalterungsflansch sollte in das obere Loch zwischen den Markierungen auf den vertikalen Schienen eingreifen.

- 2** Drücken Sie die Montageschiene nach vorn, bis die zwei Montagehaken in die entsprechenden Rechtecklöcher eingreifen. Drücken Sie dann den Flansch der Montagehalterung nach unten, bis die Montagehaken in den Rechtecklöchern sitzen und die blaue Verriegelungslasche am oberen Montagehaken hervorspringt und einrastet (siehe Abbildung 1-5).
- 3** Ziehen Sie auf der Rückseite des Gestellschranks den Flansch der Montagehalterung nach hinten, bis die Montagehaken in die entsprechenden Rechtecklöcher eingreifen. Drücken Sie dann den Flansch nach unten, bis die Montagehaken in den Rechtecklöchern sitzen und die blaue Verriegelungslasche hervorspringt und einrastet.
- 4** Wiederholen Sie Schritt 1 bis Schritt 3 für die Montageschiene auf der anderen Seite des Racks.
- 5** Achten Sie darauf, dass die Montageschienen auf beiden Rack-Seiten in der gleichen Höhe an den vertikalen Schienen befestigt werden.

Abbildung 1-5. Installation der RapidRails-Montageschienen



- | | | | |
|---|--------------|---|------------------|
| 1 | Montagehaken | 3 | Rack-Vorderseite |
| 2 | Blaue Lasche | 4 | Montageschiene |

Installation der RapidRails-Montageschienen

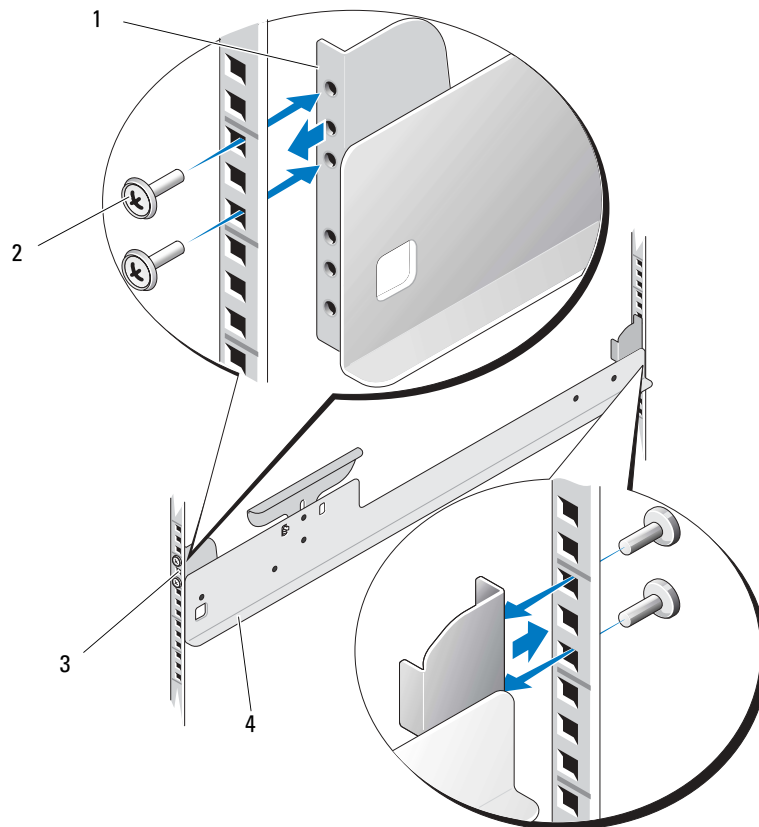
- 1 Setzen Sie eine der VersaRails-Montageschienen so an der Vorderseite des Gestellschranks an, dass der Montagehalterungsflansch zwischen die Markierungen (oder die nummerierten Stellen) auf den vertikalen Schienen zu liegen kommt (siehe Abbildung 1-6).

Die sechs Löcher an der Vorderseite des Montagehalterungsflansches sollten mit den Löchern zwischen Ihren Markierungen an der vorderen vertikalen Schiene übereinstimmen.

- 2 Befestigen Sie die Montageschiene durch je eine 10-32 x 0,5 Zoll Kreuzschlitzbundschraube im oberen und unteren Loch des Montageflanschs an der vorderen vertikalen Schiene.

- 3 Ziehen Sie den Montagehalterungsflansch auf der Rack-Rückseite nach hinten, bis seine Montagelöcher mit den rechteckigen Löchern auf der hinteren vertikalen Schiene übereinstimmen.
- 4 Befestigen Sie die Montageschiene mit je einer 10-32 x 0,5 Zoll Kreuzschlitzbundschraube im oberen und unteren Loch des Montageflanschs an der hinteren vertikalen Schiene.
- 5 Wiederholen Sie Schritt 1 bis Schritt 4 für die Montageschiene auf der anderen Seite des Racks.
- 6 Achten Sie darauf, dass die Montageschienen auf beiden Seiten des Racks jeweils an der gleichen vertikalen Position befestigt werden.

Abbildung 1-6. Installation der VersaRails-Montageschienen



- | | | | |
|---|--|---|------------------|
| 1 | Flansch der Montagehalterung | 3 | Rack-Vorderseite |
| 2 | 10-32 x 0,5-Zoll Kreuzschlitzbundschrauben (4 pro Montageschiene) | 4 | Montageschiene |

Installation des Systems im Rack

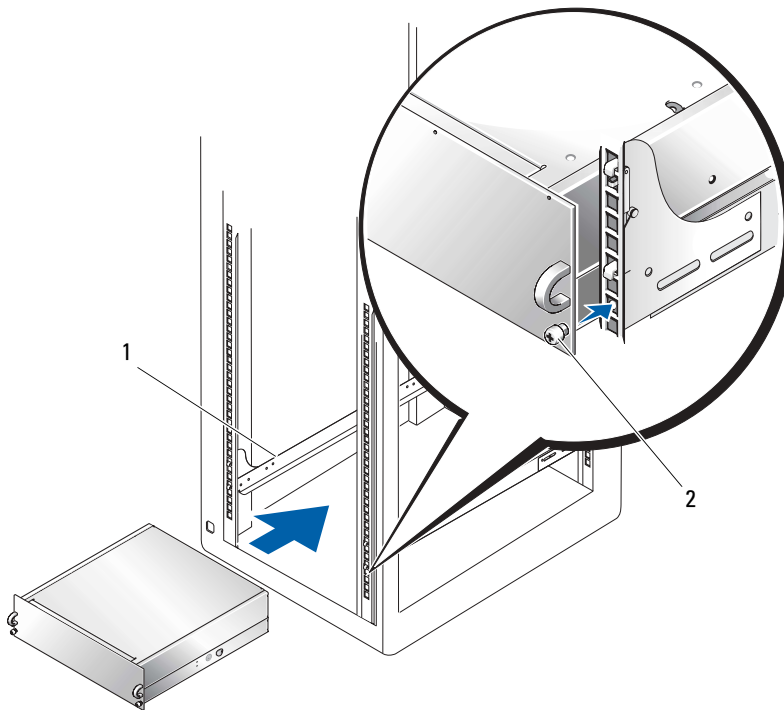
⚠ VORSICHT: Wenn Sie mehr als ein System installieren, installieren Sie das erste System in der untersten möglichen Position im Rack.

⚠ VORSICHT: Da das System sehr groß und schwer ist, versuchen Sie niemals, das System ohne fremde Hilfe in den Montageschienen zu installieren.

Um das System im Rack zu installieren, gehen Sie wie folgt vor:

- 1 Positionieren Sie das System von der Rack-Vorderseite aus vor den im Rack installierten Montageschienen.

Abbildung 1-7. System im Rack installieren



- 1 Montageschienen (2) 2 Rändelschrauben (2)

- 2 Schieben Sie das System vollständig in das Rack, bis die System-Frontplatte die vertikalen Schienen berührt (siehe Abbildung 1-7).
- 3 Ziehen Sie die Rändelschrauben auf beiden Seiten der System-Frontplatte an (siehe Abbildung 1-7).

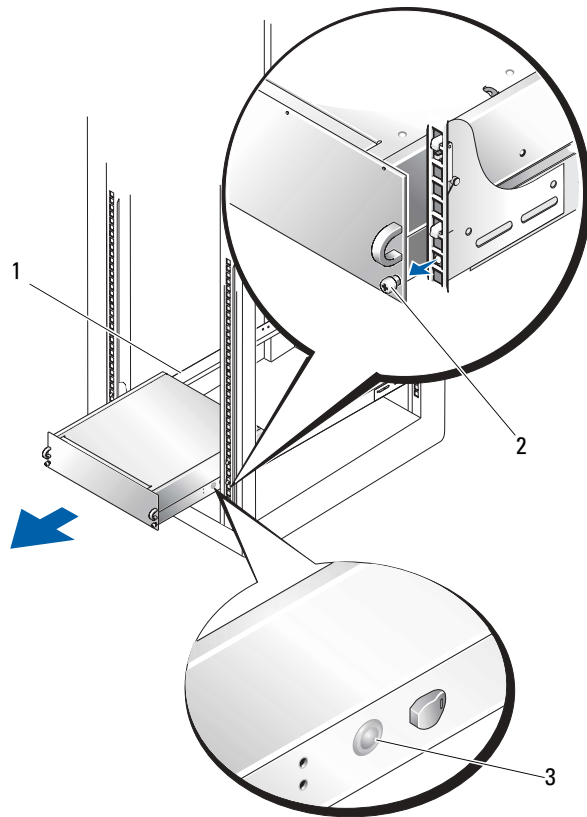
Entfernen des Systems aus dem Rack

⚠ VORSICHT: Da das System sehr groß und schwer ist, versuchen Sie niemals, das System ohne fremde Hilfe aus den Montageschienen zu entfernen.

Gehen Sie wie folgt vor, um das System aus dem Rack zu entfernen:

- 1 Schalten Sie das System sowie die angeschlossenen Peripheriegeräte aus und unterbrechen Sie die Stromzufuhr.

Abbildung 1-8. System aus dem Rack entfernen



1 Montageschienen (2)

2 Rändelschrauben (2)

3 Freigabetaste (2)

- 2 Lösen Sie beide Rändelschrauben auf der Gehäusefrontplatte.
- 3 Ziehen Sie das System langsam ungefähr 25 cm aus dem Rack bzw. bis die Riegel auf beiden Seiten des Systems in die rechteckigen Anschlaglöcher an den vertikalen Schienen einrasten (siehe Abbildung 1-7).
- 4 Drücken Sie zusammen mit einer anderen Person auf beiden Seiten des Racks jeweils die runde Freigabetaste (blau), und ziehen Sie das System vollständig aus dem Rack.
- 5 Legen Sie das System auf eine stabile Arbeitsfläche.

Wiederanbringen der Rack-Türen

Siehe Vorgehensweise zum Austauschen der Türen in der Dokumentation des Racks.






VORSICHT: Da die Rack-Türen sehr groß und schwer sind, versuchen Sie niemals, die Türen ohne fremde Hilfe abzunehmen oder einzubauen.

Damit ist die Rack-Montage des Systems in einem Gestellschrank mit vier Stützen abgeschlossen.

ラック取り付けガイド

メモ、注意、警告

-  **メモ**：コンピュータを使いやすくするための重要な情報を説明しています。
-  **注意**：ハードウェアの損傷やデータの損失の可能性を示し、その危険を回避するための方法を説明しています。
-  **警告**：物的損害、けが、または死亡の原因となる可能性があることを示します。

本書の内容は予告なく変更されることがあります。
© 2005 すべての著作権は Dell Inc. にあります。

Dell Inc. の書面による許可のない複製は、いかなる形態においても厳重に禁じられています。

本書で使用されている商標について：Dell、DELL ロゴ、RapidRails、および VersaRails は Dell Inc. の商標です。

本書では、必要に応じて上記以外の商標や会社名が使用されている場合がありますが、これらの商標や会社名は、一切 Dell Inc. に所属するものではありません。

目次

| | |
|---------------------------------|-----------|
| 安全にお使いいただくために | 59 |
| 安全について：システムのラックへの取り付け | 59 |
| 取り付け手順 | 60 |
| 作業を開始する前に | 60 |
| 安全に関する重要な注意 | 60 |
| VersaRails のラック要件 | 60 |
| 4 柱型ラックの取り付け | 61 |
| ラックスタビライザ | 61 |
| 推奨する工具および備品 | 61 |
| RapidRails ラックキットの内容 | 62 |
| VersaRails ラックキットの内容 | 62 |
| 取り付け手順 | 63 |
| ラック扉の取り外し | 64 |
| ラックへの印付け | 64 |
| ラックへのマウントレールの取り付け | 66 |
| ラックへのシステムの取り付け | 70 |
| ラックからのシステムの取り外し | 71 |
| ラック扉の取り付け | 72 |


安全にお使いいただくために


ご自身の身体の安全を守り、システムおよび作業環境を保護するために、以下の安全に関するガイドラインに従ってください。安全に関する詳細な情報については、『製品情報ガイド』を参照してください。


安全について：システムのラックへの取り付け

ラックの安定性や安全性に関して、以下の点にご注意ください。


システムはラックの一部とみなします。したがって、「コンポーネント」には、さまざまな周辺機器やサポートハードウェアと同様に、システムも含まれます。

 **警告：**単体ラックでは正面と側面のスタビライザ、連結ラックでは正面のスタビライザを取り付けてからラックにシステムを取り付けてください。スタビライザを正しく取り付けずにシステムをラックに取り付けると、ラックが転倒し、けがをするおそれがあります。必ずスタビライザを取り付けてから、ラックにコンポーネントを取り付けてください。

 **警告：**ラックへのコンポーネント取り付け後は、一度に2台以上のコンポーネントをスライドアセンブリから引き出さないでください。重みでラックが転倒し、大けがをするおそれがあります。

 **メモ：**ご使用のシステムは、独立型のユニットとして、また、カスタマーラックキットで構成される Dell ラックキャビネットに取り付ける部品として、その安全性が保証されています。それ以外のラックキャビネットにシステムおよびラックキットを取り付ける場合は、安全性が保証されません。最終的に組み合わせたシステムおよびラックについては、ユーザーの責任において、適用される安全基準および地域の電気規約の要件に適合することを確認してください。デルでは、このような組み合わせに関連するいかなる保証責任も負いません。

- システムラックキットは、トレーニングを受けたサービス技術者が、規格に適合するラックに取り付けます。キットを別のラックに取り付ける場合は、そのラックがデルのラック仕様に適合していることを確認してください。

 **警告：**大型ラックを1人で移動しないでください。ラックの高さと重さを考慮して、少なくとも2人以上でラックを移動することをお勧めします。


- ラックで作業をする前に、スタビライザがラックに固定されて床面に伸び、ラックの全重量が床面にかかっていることを確認してください。ラックで作業をする前に、ラックが1つの場合は正面と側面のスタビライザ、複数のラックを連結する場合は正面のスタビライザを取り付けます。
- ラックには必ず下から上へと、最も重いものから順に設置してください。
- レールリリースラッチを押してコンポーネントをラックから出し入れするときは、スライドレールに指をはさまれないように注意してください。
- コンポーネントをラックに挿入したら、レールをロック位置まで静かに伸ばし、コンポーネントをスライドさせてラックに設置します。
- ラックに電力を送る AC 分岐回路に過重電流を流さないでください。ラックの総負荷が分岐回路定格の 80% を超えないようにしてください。
- ラック内のコンポーネントが十分に通気されることを確認してください。
- ラックに取り付けたコンポーネントの作業中に、他のコンポーネントの上に乗ったり、足をかけたりしないでください。


取り付け手順


この取り付けガイドでは、4 柱型ラックキャビネットに 1 台または複数のシステムを取り付ける手順について説明します。RapidRails™ ラックキットは、工具を使わずにすべてのシステムメーカーのラックキャビネットに取り付けることができます。VersaRails™ ラックキットは、業界規格に適合しているほとんどのラックキャビネットに取り付けることができます。RapidRails ラックキットと VersaRails ラックキットの取り付け手順はほとんど同じです。ラックキットは、ラックキャビネットに取り付けるシステム 1 台ごとに 1 セットずつ必要です。

作業を開始する前に

ラックにシステムを取り付ける作業を始める前に、本書の冒頭に記載した「安全にお使いいただくために」をよくお読みください。詳細については、『製品情報ガイド』の安全にお使いいただくための注意もお読みください。


 **警告：**複数のシステムをラックに取り付ける場合は、1 台のシステムの取り付け手順を完了してから、次のシステムの取り付けに進んでください。


 **警告：**ラックキャビネットはサイズが非常に大きく重量もありますが、キャスターで簡単に移動できるようになっています。このキャスターにはブレーキがないため、ラックキャビネットを移動するときは十分な注意が必要です。ラックキャビネットを別の場所に移動するときは、水平調節用の脚を収納してください。長い傾斜面、急勾配のある場所、スロープなど、バランスが取りにくい場所にはキャビネットを設置しないでください。水平調節用の脚を伸ばしてキャビネットを支え、キャビネットが動かないようにしてください。

 **メモ：**システム自体の設置方法については、「ラックへのシステムの取り付け」を参照してください。


安全に関する重要な注意

システムをラックに取り付けるときは、次の各項の安全に関する注意を遵守してください。

 **警告：**作業者は、自分自身と周囲の人々を保護するために、本書の手順に必ず従ってください。本システムは非常に重量があり大きいため、ご自身や周囲の人々のけがを防ぐために準備と計画を適切に行うことが重要です。これは、特にシステムをラックの高い位置に取り付ける場合に重要になります。

 **警告：**別のシステム用に設計されたラックキットのコンポーネントは取り付けないでください。ご使用のシステム用のラックキットのみをお使いください。別のシステム用のラックキットを使用すると、システムが損傷し、ご自身や周囲の人々がけがをするおそれがあります。


VersaRails のラック要件

 **注意：**VersaRails ラックキットは、米国規格協会 (ANSI) / 米国電子工業会 (EIA) 規格 ANSI/EIA-310-D92、国際電気標準会議 (IEC) 297、ドイツ工業規格 (DIN) 41494 の仕様を満たすラックについてトレーニングを受けたサービス技術者が取り付けるように設計されています。ラックキットは、ラックに取り付けるシステム 1 台につき 1 セット必要です。

4 柱型ラックの取り付け

取り付けを開始する前に、すべての手順をよくお読みください。

ラックスタビライザ

 **警告：**単体ラックでは正面と側面のスタビライザ、連結ラックでは正面のスタビライザを取り付けてからラックにシステムを取り付けてください。スタビライザを正しく取り付けずにシステムをラックに取り付けると、ラックが転倒し、けがをするおそれがあります。必ずスタビライザを取り付けてから、ラックにコンポーネントを取り付けてください。

スタビライザはラックの転倒を防ぎます。スタビライザを取り付けて床に固定する手順については、ラックキャビネットに付属のマニュアルを参照してください。

推奨する工具および備品

システムを 4 柱型ラックキャビネットに取り付ける際、以下の工具および備品が必要な場合があります。

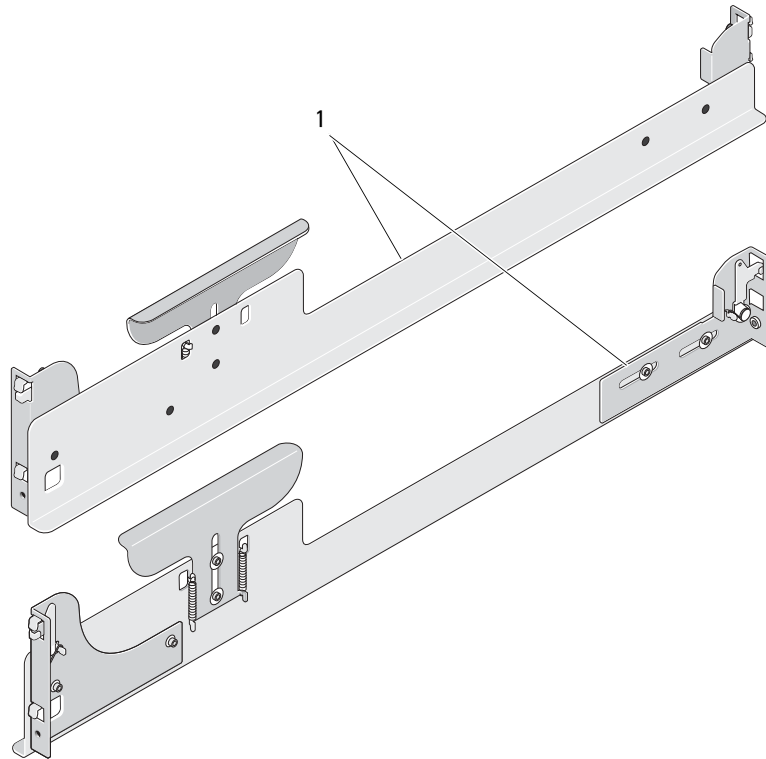
- #2 プラスドライバ
- マスキングテープまたはフェルトペン（取り付け作業中に取り付け穴に印を付けるために使用）

RapidRails ラックキットの内容

RapidRails ラックキットの内容は次のとおりです。

- RapidRails マウントレール 1 組

図 1-1 RapidRails ラックキットの内容



1 マウントレール (2)

VersaRails ラックキットの内容

VersaRails ラックキットの内容は次のとおりです。

- VersaRails マウントレール 1 組
- 10-32 x 0.5 インチフランジヘッドプラスネジ (8)


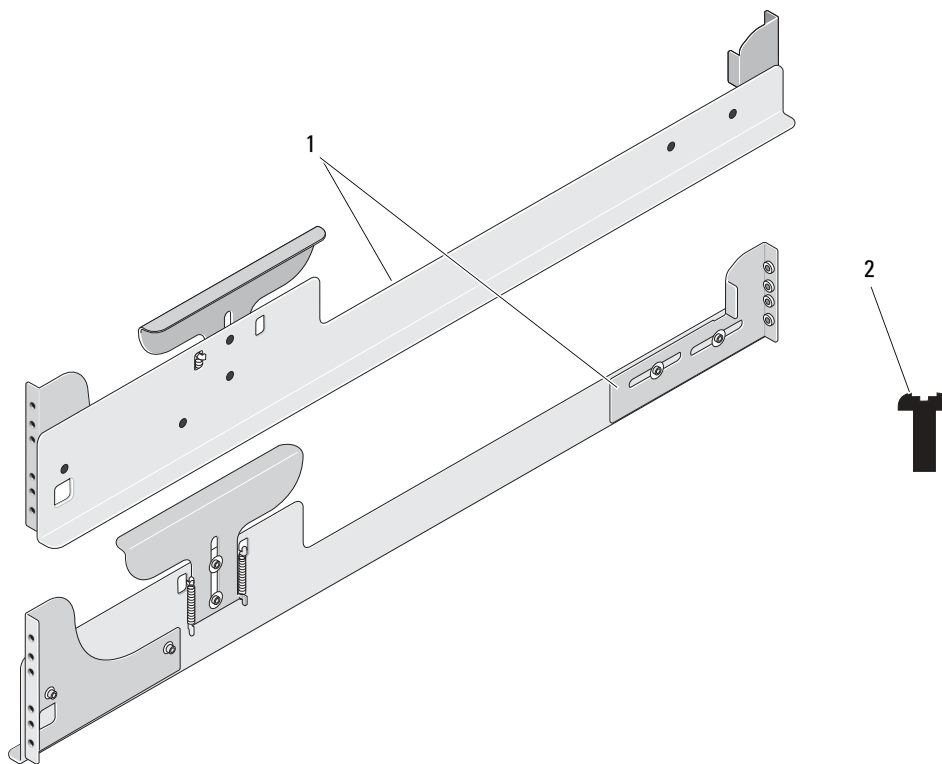
 **メモ**：図と手順の説明に示すメートル法規格以外のネジは、サイズとインチ当たりのネジ山数で表記されています。たとえば1インチに32本のネジ山がある#10 プラスネジは、10-32 ネジと表記します。

図 1-2 VersaRails ラックキットの内容



- 1 マウントレール (2) 2 10-32 x 0.5 インチフランジヘッドプラスネジ (8)

取り付け手順

ラックキットを取り付けるには、次の手順（以降の各項で詳細を説明）を番号順に実行します。

- 1 ラック扉の取り外し
- 2 ラックへの印付け
- 3 ラックへのマウントレールの取り付け
 - RapidRails の取り付け
 - VersaRails の取り付け
- 4 ラックへのシステムの取り付け
- 5 ラック扉の取り付け

ラック扉の取り外し

ラックキャビネットに付属のマニュアルに記載されている扉の取り外し手順を参照してください。

⚠ 警告：ラックキャビネットの扉の大きさと重さを考慮して、取り付けおよび取り外しは1人では行わないでください。

⚠ 警告：取り外した扉は、不意に倒れてけがをしないような場所に保管してください。

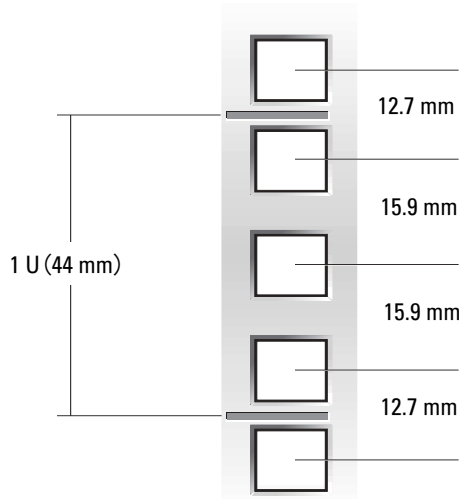
ラックへの印付け

3 ラックユニット (3 U) システムでは、ラックに取り付ける各システムの上下に、3 U (132 mm) の空間を空ける必要があります。

EIA-310 規格を満たすラックキャビネットには、1 ラックユニット (1 U) ごとに 3 つの穴が交互に並んでいます。穴の中心から中心までの距離は、前面および背面垂直レールの 1 U スペースの一番上の穴から計測して 15.9 mm、15.9 mm、12.7 mm となっています (図 1-3 を参照)。ラックキャビネットの穴には丸型または角型があります。

📌 メモ：垂直レールには、1 U 間隔の水平の線と数字で印が付いていることがあります。ラックの垂直レールについている印の番号を控える方法もあるので、ラックに印を付けたりテープを貼る作業は必須ではありません。

図 1-3 1 ラックユニット (1 U)



⚠ 警告：2台以上のシステムを取り付ける場合は、ラックの使用可能な最下段に1台目のシステムを取り付けられるようにマウントレールをセットしてください。

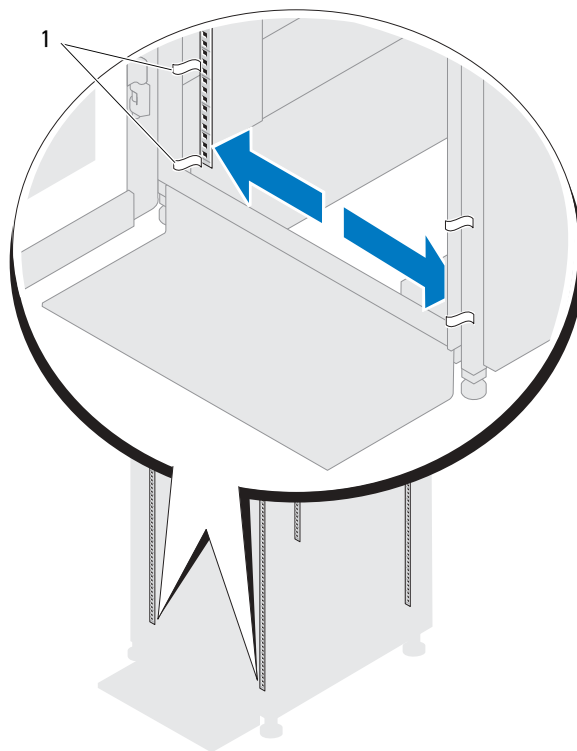
ラックに印を付けるには、次の手順を実行します。

- 1 ラック前面の垂直レール上で、ラックキャビネットに取り付けるシステムの底部の位置を決め、フェルトペンまたはマスキングテープを使って印を付けます。

底部にあたる各1Uスペースの位置は、穴と穴の間が狭い方の金属部分の中央です（横線で印が付いているラックキャビネットもあります。図1-3を参照）。

- 2 最初に印を付けた位置から132mm上（EIA-310規格に適合したラックであれば、9個上の穴）に2つ目の印を付けます。このマークは、垂直レール上でシステムの上端が来る位置を示します（図1-4を参照）。

図1-4 垂直レールの印付け



1 垂直レールに貼ったテープ

ラックへのマウントレールの取り付け

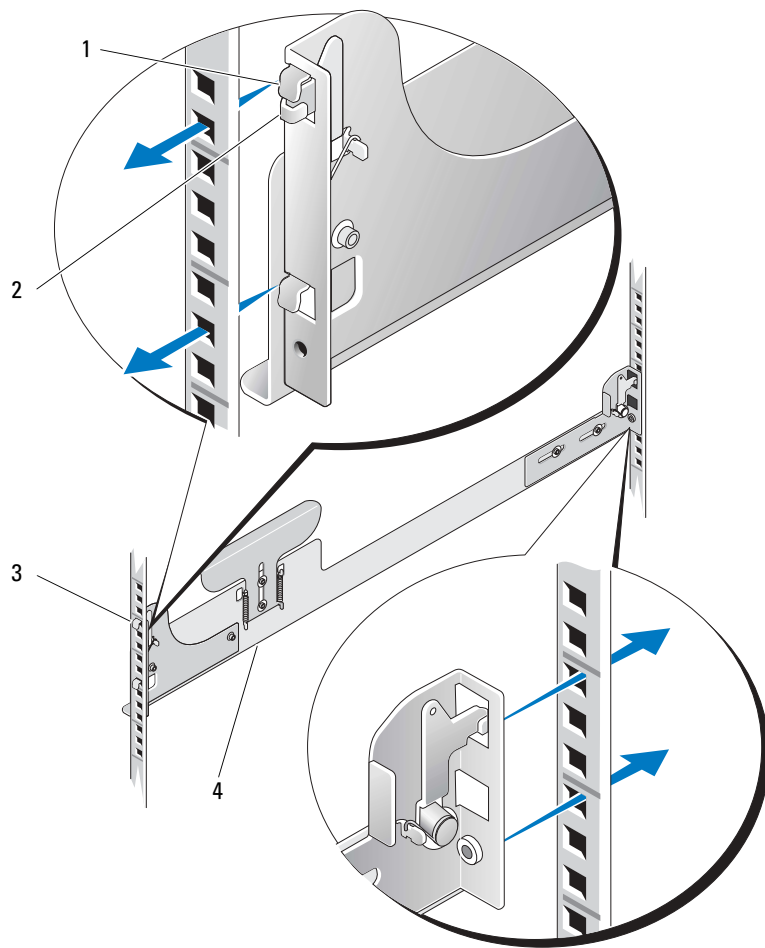
RapidRails マウントレールの取り付け

- 1 ラックキャビネットの前面で、取り付けブラケットのフランジが、垂直レールに付けた印やテープの間のスペースに収まるように（または穴の数を数えて）、1 つ目の RapidRails マウントレールの位置を合わせます（図 1-5 を参照）。

マウントレールの前面取り付けブラケットフランジの上部取り付けフックを、垂直レールに付けた印の間にある一番上の穴に差し込みます。

- 2 マウントレールを正面に向かって押して、2 つの取り付けフックを角型の穴に差し込みます。次に 2 つの取り付けフックが両方とも固定され、上部取り付けフックの青いタブがカチッという音がして飛び出すまで、取り付けブラケットのフランジを下に押し下ろします（図 1-5 を参照）。
- 3 キャビネットの背面から、取り付けブラケットのフランジを後ろに引いて、取り付けフックを対応する角型の穴に差し込みます。次に、取り付けフックが固定され、青いタブがカチッという音がして飛び出すまで、フランジを下に押し下ろします。
- 4 ラックの反対側のマウントレールで、手順 1～手順 3 を繰り返します。
- 5 左右の垂直レールで、マウントレールが同じ高さに取り付けられていることを確認します。

図 1-5 RapidRails マウントレールの取り付け



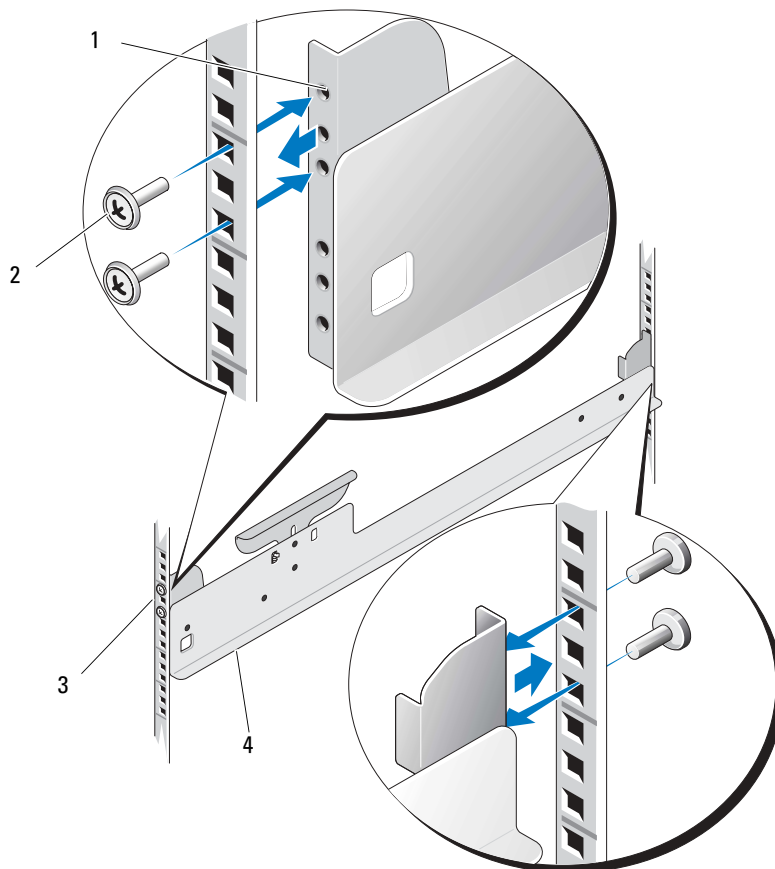
1 取り付けフック
2 青いタブ

3 ラック正面
4 マウントレール

VersaRails マウントレールの取り付け

- 1 ラックキャビネットの前面で、取り付けブラケットのフランジが、垂直レールに付けた印の間のスペースに収まるように（または穴の数を数えて）、1 つ目の VersaRails マウントレールの位置を合わせます（図 1-6 を参照）。
取り付けブラケットフランジの前面の 6 個穴を、前部垂直レールに付けた印の間の穴に合わせます。
- 2 2 本の 10-32 x 0.5 インチフランジヘッドプラスネジを取り付けブラケットフランジの上と下の穴に差し込んで、マウントレールを前面垂直レールに固定します。
- 3 キャビネットの背面から、取り付けブラケットフランジを後ろに引いて、取り付け穴を背面垂直レールのそれぞれ対応する穴に合わせます。
- 4 2 本の 10-32 x 0.5 インチフランジヘッドプラスネジを背面取り付けブラケットフランジの上と下の穴に差し込んで、マウントレールを背面垂直レールに固定します。
- 5 ラックの反対側のマウントレールで、手順 1～手順 4 を繰り返します。
- 6 左右の垂直レールで、マウントレールが同じ高さに取り付けられていることを確認します。

図 1-6 VersaRails マウントレールの取り付け



- | | | | |
|---|---|---|---------|
| 1 | 取り付けブラケットフランジ | 3 | ラック正面 |
| 2 | 10-32 x 0.5 インチフランジヘッドプラスネジ (マウントレール 1 本につき 4 本) | 4 | マウントレール |

ラックへのシステムの取り付け

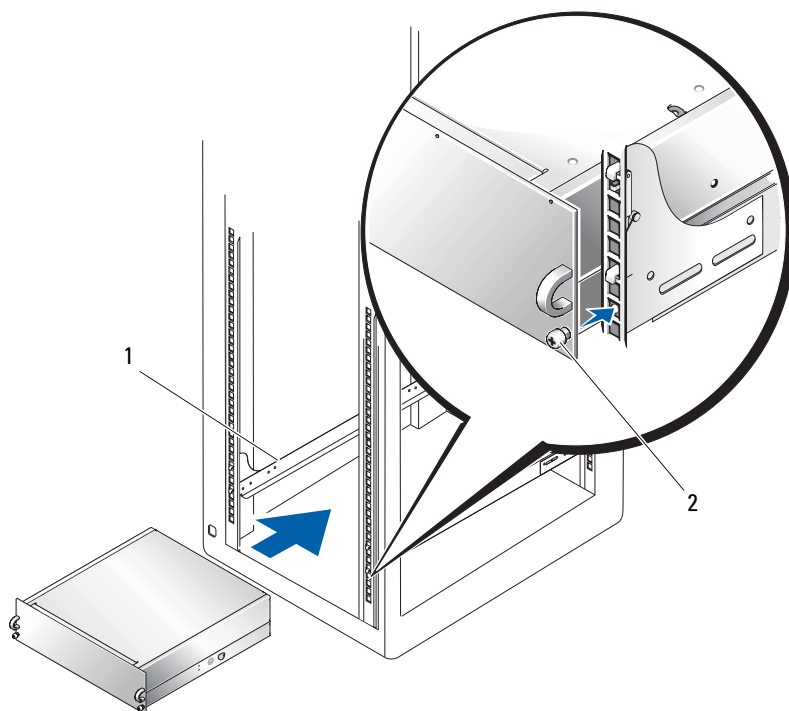
⚠ 警告：複数のシステムを取り付ける場合は、1台目のシステムをラックの使用可能な最下段に取り付けてください。

⚠ 警告：システムの大きさと重さを考慮して、マウントレールへのシステムの取り付けは1人では行わないでください。

システムをラックに取り付けるには、次の手順を実行します。

- 1 ラックの正面から、ラックキャビネットに取り付けたマウントレールの前にシステムを置きます。

図 1-7 ラックへのシステムの取り付け



- 1 マウントレール (2) 2 蝶ネジ (2)

- 2 システムをラックの中に十分にスライドさせ、システムの正面パネルと垂直レールが接触するところまで押し込みます (図 1-7 を参照)。
- 3 システムの正面パネルの左右にある拘束蝶ネジを締めます (図 1-7 を参照)。

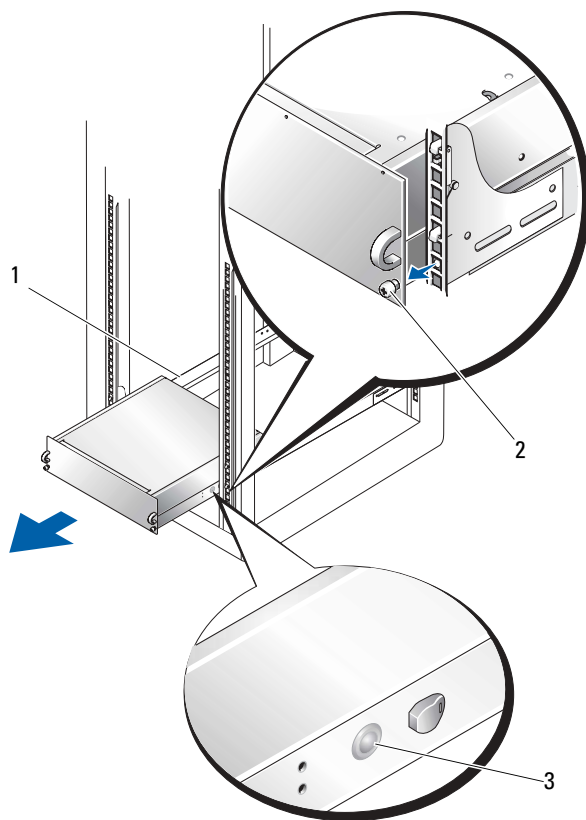
ラックからのシステムの取り外し

⚠ 警告：システムの大きさと重さを考慮して、マウントレールからのシステムの取り外しは1人では行わないでください。

システムをラックから取り外すには、次の手順を実行します。

- 1 システムおよび接続されている周辺機器の電源を切り、システムを電源コンセントから外します。

図 1-8 ラックからのシステムの取り外し



1 マウントレール (2)


2 蝶ネジ (2)

3 リリースボタン (2)

- 2 シャーシ正面パネルの両方の蝶ネジを外します。
- 3 システムをゆっくりとスライドさせて、ラックから約 25 cm、またはシステムのいずれかの側面のラッチが垂直レールの四角いストップホールにかかるまで引き出します（図 1-7 を参照）。
- 4 ラックの反対側をもう 1 人に持ってもらい、システム両側の丸いリリースボタン（青）を押し、システムをスライドさせてラックから完全に引き出します。
- 5 システムをしっかりした安定した平面に置きます。

ラック扉の取り付け

ラックに付属のマニュアルに記載されている扉の取り付け手順を参照してください。

 **警告：**ラックキャビネットの扉の大きさと重さを考慮して、取り付けおよび取り外しは 1 人では行わないでください。

これで 4 柱型ラックキャビネットへのシステムの取り付けは完了です。

Guía de instalación del rack

Notas, avisos y precauciones



NOTA: una NOTA proporciona información importante que le ayudará a utilizar mejor el ordenador.



AVISO: un AVISO indica un posible daño en el hardware o la pérdida de datos, e informa de cómo evitar el problema.



PRECAUCIÓN: un mensaje de PRECAUCIÓN indica el riesgo de daños materiales, lesiones o incluso la muerte.

La información contenida en este documento puede modificarse sin previo aviso.

© 2005 Dell Inc. Reservados todos los derechos.

Queda estrictamente prohibida la reproducción de este documento en cualquier forma sin la autorización por escrito de Dell Inc.

Marcas comerciales utilizadas en este texto: *Dell*, el logotipo de *DELL*, *RapidRails* y *VersaRails* son marcas comerciales de Dell Inc.

Otras marcas y otros nombres comerciales pueden utilizarse en este documento para hacer referencia a las entidades que los poseen o a sus productos. Dell Inc. renuncia a cualquier interés sobre la propiedad de marcas y nombres comerciales que no sean los suyos.

Contenido

| | |
|---|-----------|
| Instrucciones de seguridad | 77 |
| SEGURIDAD: Montaje de sistemas en rack | 77 |
| Instrucciones de instalación | 78 |
| Antes de comenzar | 78 |
| Información de seguridad importante | 79 |
| Requisitos del rack para VersaRails | 79 |
| Instalación del rack de cuatro postes | 79 |
| Pies estabilizadores del rack | 79 |
| Herramientas y material recomendados | 79 |
| Contenido del kit de rack RapidRails | 80 |
| Contenido del kit de rack VersaRails | 80 |
| Tareas de instalación | 81 |
| Extracción de las puertas del rack | 82 |
| Marcado del rack | 82 |
| Instalación de los rieles de montaje en el rack | 84 |
| Instalación del sistema en el rack | 88 |
| Extracción del sistema del rack | 89 |
| Colocación de las puertas del rack | 90 |


Instrucciones de seguridad


Siga estas pautas de seguridad para garantizar su propia seguridad y proteger el sistema y el entorno de trabajo frente a posibles daños. Para obtener información completa acerca de la seguridad, consulte la *Guía de información del producto*.


SEGURIDAD: Montaje de sistemas en rack

Tenga en cuenta las precauciones siguientes para garantizar la estabilidad y la seguridad del rack.

Los sistemas son considerados como componentes de un rack. Por lo tanto, “componente” se refiere a cualquier sistema, así como a los distintos periféricos o al hardware de soporte.

 **PRECAUCIÓN:** antes de instalar sistemas en un rack, instale los estabilizadores frontales y laterales para racks individuales, o bien los estabilizadores frontales para varios racks unidos. Si no se instalan estabilizadores antes de realizar montaje de los sistemas, el rack puede volcarse, y ello puede producir lesiones personales. Por lo tanto, instale siempre los estabilizadores antes de instalar los componentes en el rack.

 **PRECAUCIÓN:** después de instalar los componentes en un rack, no extraiga nunca más de un componente de sus conjuntos deslizantes a la vez. El peso de más de un componente extendido puede provocar que el rack se vuelque y ello puede producir lesiones graves.

 **NOTA:** este sistema tiene el certificado de seguridad de una unidad independiente y como un componente para uso en un armario rack Dell con el kit de rack para clientes. La instalación del sistema y del kit de rack en otros armarios rack no ha sido aprobada por ninguna agencia de seguridad. Es su responsabilidad asegurarse de que la combinación final de sistema y rack cumpla los estándares de seguridad correspondientes y los requisitos de códigos de electricidad locales. Dell declina todas las responsabilidades y garantías con relación a tales combinaciones.

- Los kits para rack están concebidos para ser montados en un rack aprobado por técnicos de servicio cualificados. Si instala el kit en cualquier otro rack, cerciórese de que éste cumpla las especificaciones de un rack Dell.

 **PRECAUCIÓN:** no mueva los racks sin la ayuda de otra persona. Debido a la altura y al peso del rack, se recomienda un mínimo de dos personas para realizar dicha tarea.

- Antes de manipular el rack, asegúrese de que los estabilizadores estén fijados al rack, que lleguen hasta el suelo y que todo el peso del rack descansa sobre el suelo. Antes de trabajar en el rack, instale los estabilizadores frontales y laterales en caso de un único rack, o bien los estabilizadores frontales en caso de varios racks unidos.
- Cargue siempre el rack desde la parte inferior hacia arriba, colocando en primer lugar el elemento más pesado.

- Tenga cuidado al presionar los seguros de liberación de los rieles de componentes y al extraer o introducir un componente del rack, puesto que sus dedos pueden quedar aprisionados en los rieles deslizantes.
- Una vez insertado un componente en el rack, extienda con cuidado el riel hasta su posición de bloqueo y deslice el componente hacia el interior del rack.
- No sobrecargue el circuito de alimentación de CA que suministra alimentación al rack. La carga total del rack no debe ser superior al 80 por ciento de la corriente nominal del circuito.
- Los componentes del rack deben disponer de una ventilación suficiente.
- No suba sobre ningún componente ni lo utilice como escalón para realizar operaciones en los componentes de un rack.

Instrucciones de instalación

En esta guía de instalación se proporcionan instrucciones para el montaje de uno o más sistemas en un armario rack de cuatro postes. El kit de rack RapidRails™ se puede montar en todos los armarios rack del fabricante del sistema sin herramientas, y el kit de rack VersaRails™ se puede montar en la mayoría de los armarios rack estándar del sector. Los procedimientos para instalar los kits de rack RapidRails y VersaRails son similares. Por cada sistema que se vaya a instalar en el armario rack se precisa un kit de rack.

Antes de comenzar

Antes de empezar a montar el sistema en el rack, lea atentamente las “Instrucciones de seguridad”, en una sección anterior de esta guía. Para obtener más información, lea también las instrucciones de seguridad que encontrará en la *Guía de información del producto*.



PRECAUCIÓN: cuando instale varios sistemas en un rack, realice todos los procedimientos para un sistema antes de instalar el siguiente sistema.




PRECAUCIÓN: los armarios rack pueden ser muy pesados y se desplazan con facilidad gracias a las ruedas. No disponen de frenos. Preste extremo cuidado cuando mueva un armario rack. Si traslada el armario rack, pliegue primero los pies niveladores. Evite rampas o inclinaciones largas o pronunciadas para evitar perder el control del armario. Extienda los pies niveladores para sostener el armario y evitar que se desplace.




NOTA: para obtener instrucciones sobre la instalación del sistema, consulte “Instalación del sistema en el rack”.


Información de seguridad importante

Tenga en cuenta las precauciones de seguridad descritas en las secciones siguientes al instalar el sistema en el rack.

 **PRECAUCIÓN:** debe seguir estrictamente los procedimientos que se explican en este documento para protegerse a sí mismo y a otras personas que puedan verse involucradas. El sistema puede tener una envergadura y un peso considerables, por lo que son importantes una preparación y una planificación adecuadas para evitar lesiones personales. Esta precaución es aún más importante cuando se montan sistemas en la parte alta del rack.

 **PRECAUCIÓN:** no instale componentes de kit de rack que estén diseñados para otro sistema. Utilice únicamente el kit de rack correspondiente a su sistema. Si utiliza un kit de rack para otro sistema, el sistema puede resultar dañado y usted u otras personas podrían lesionarse.


Requisitos del rack para VersaRails

 **AVISO:** el kit de rack VersaRails lo deben montar únicamente técnicos de servicio cualificados en un rack que cumpla las especificaciones siguientes: ANSI/EIA-310-D-92, IEC 297 y DIN 41494. Se precisa un kit de rack para cada sistema que se instale en el rack.

Instalación del rack de cuatro postes

Antes de llevar a cabo la instalación, lea detenidamente el procedimiento completo.

Pies estabilizadores del rack

 **PRECAUCIÓN:** antes de instalar sistemas en un rack, instale los estabilizadores frontales y laterales para racks individuales, o bien los estabilizadores frontales para varios racks unidos. Si no se instalan estabilizadores antes de realizar montaje de los sistemas, el rack puede volcarse, y ello puede producir lesiones personales. Por lo tanto, instale siempre los estabilizadores antes de instalar los componentes en el rack.

Los pies estabilizadores ayudan a evitar que el rack vuelque. Consulte la documentación que se facilita con el armario rack para obtener instrucciones sobre la instalación y la fijación de los pies estabilizadores.

Herramientas y material recomendados

Para montar el sistema en un armario rack de cuatro postes, necesita los elementos siguientes:

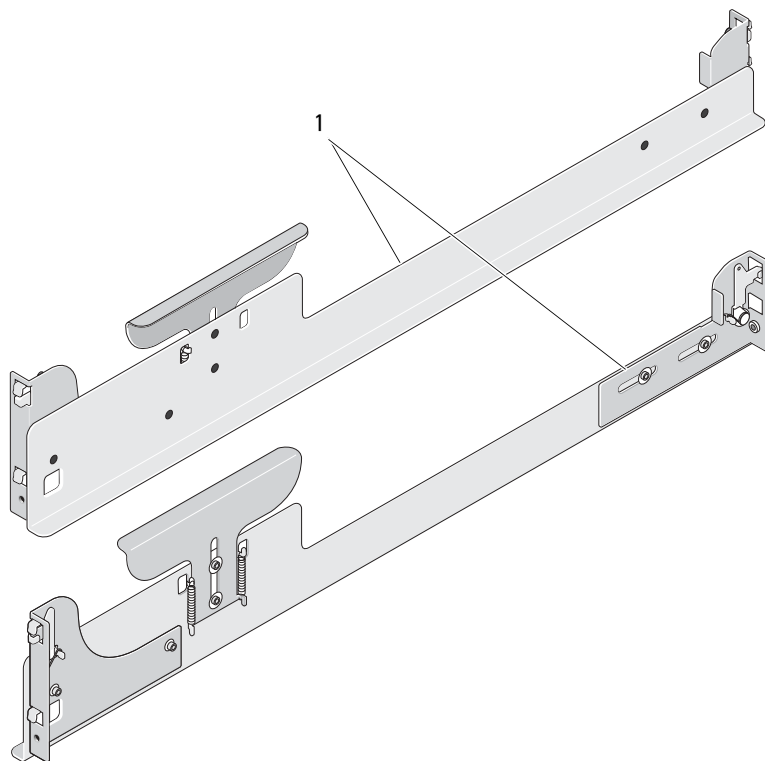
- Destornillador Phillips del n° 2
- Cinta adhesiva o rotulador de punta de fieltro (para marcar los orificios de montaje durante la instalación)

Contenido del kit de rack RapidRails

El kit de rack RapidRails contiene lo siguiente:

- Un par de rieles de montaje RapidRails

Figura 1-1. Contenido del kit de rack RapidRails



1 Rieles de montaje (2)

Contenido del kit de rack VersaRails

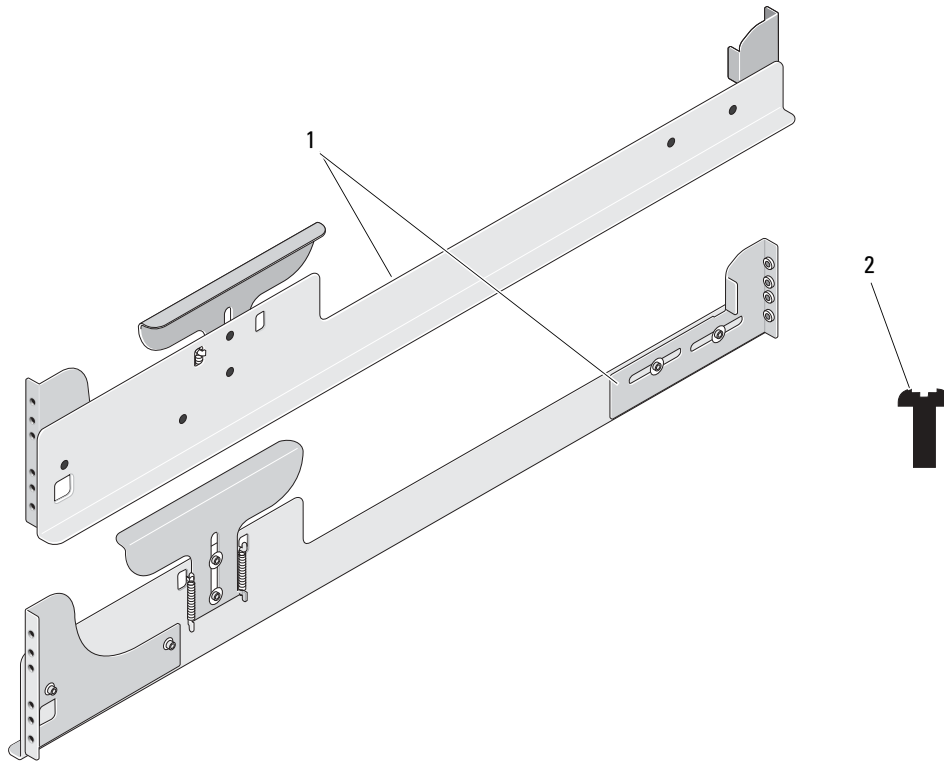
El kit de rack VersaRails contiene lo siguiente:

- Un par de rieles de montaje VersaRails
- 8 tornillos Phillips con arandela 10-32 x 0,5 pulgadas



NOTA: los tornillos no métricos que se describen en las ilustraciones y en los procedimientos se identifican por el tamaño y el número de roscas por pulgada. Por ejemplo, un tornillo Phillips del n° 10 con 32 roscas por pulgada se identifica como un tornillo 10-32.

Figura 1-2. Contenido del kit de rack VersaRails



- 1 Rieles de montaje (2) 2 Tornillos Phillips con arandela 10-32 x 0,5 pulgadas (8)

Tareas de instalación

La instalación del kit del rack implica las siguientes tareas (que se describen en detalle en las siguientes subsecciones) en el orden indicado:

- 1 Extracción de las puertas del rack
- 2 Marcado del rack
- 3 Instalación de los rieles de montaje en el rack
 - Instalación de RapidRails
 - Instalación de VersaRails
- 4 Instalación del sistema en el rack
- 5 Colocación de las puertas del rack

Extracción de las puertas del rack

Para extraer las puertas, consulte los procedimientos correspondientes en la documentación suministrada con el armario rack.

⚠ PRECAUCIÓN: debido al tamaño y al peso de las puertas del armario rack, nunca debe intentar montarlas ni desmontarlas sin ayuda.

⚠ PRECAUCIÓN: guarde las puertas donde no puedan lesionar a nadie si caen accidentalmente.

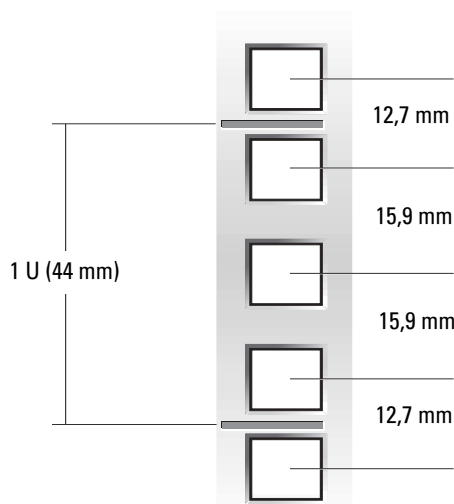
Marcado del rack

Para un sistema 3-U, debe asignar 3 U (132 mm) de espacio vertical para cada sistema que instale en el rack.

Los armarios rack que cumplen los estándares EIA-310 tienen un patrón alterno de tres orificios por unidad de rack con un espacio entre orificios de centro a centro (comenzando en el orificio superior de un espacio 1-U) de 15,9 mm, 15,9 mm y 12,7 mm para los rieles verticales frontal y posterior (vea la figura 1-3). Los armarios rack pueden tener orificios circulares o cuadrados.

📌 NOTA: los rieles verticales pueden estar marcados con líneas horizontales y números en incrementos de 1-U. Si lo desea, puede anotar en un papel las marcas numéricas del riel vertical del rack. No es necesario marcar el rack con rotulador ni con cinta adhesiva.

Figura 1-3. Una unidad de rack

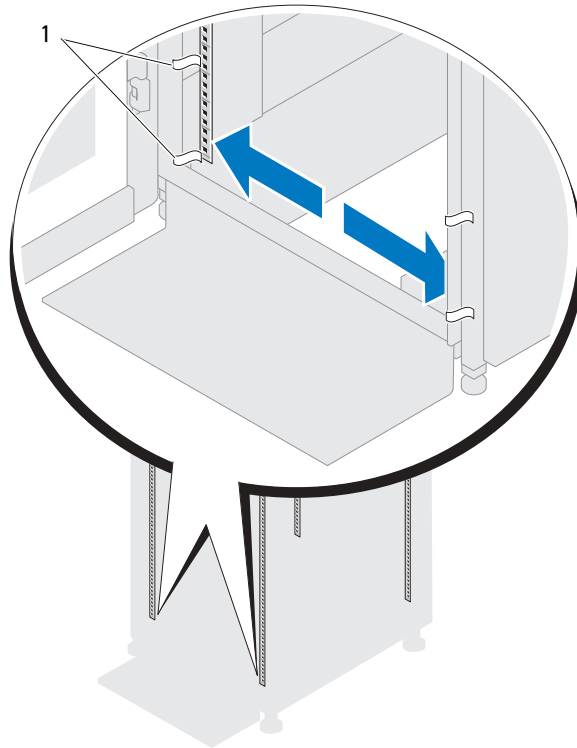


⚠ PRECAUCIÓN: si va a instalar más de un sistema, instale los rieles de montaje de modo que el primer sistema se instale en la posición más baja disponible en el rack.

Para marcar el rack, realice los pasos siguientes:

- 1 Con un rotulador de punta de fieltro o cinta adhesiva, coloque una marca en los rieles verticales frontales del rack donde desee colocar la parte inferior del sistema que está instalando en el rack.
La parte inferior de cada espacio 1-U se encuentra en el centro de la zona metálica más estrecha entre orificios (marcados con una línea horizontal en algunos armarios rack; vea la figura 1-3).
- 2 Coloque una segunda marca 132 mm por encima de la primera marca señalada (o cuente nueve orificios en un rack que cumpla los estándares EIA-310). Esta marca indica dónde se va a situar el borde superior del sistema en los rieles verticales (vea la figura 1-4).

Figura 1-4. Marcado de los rieles verticales



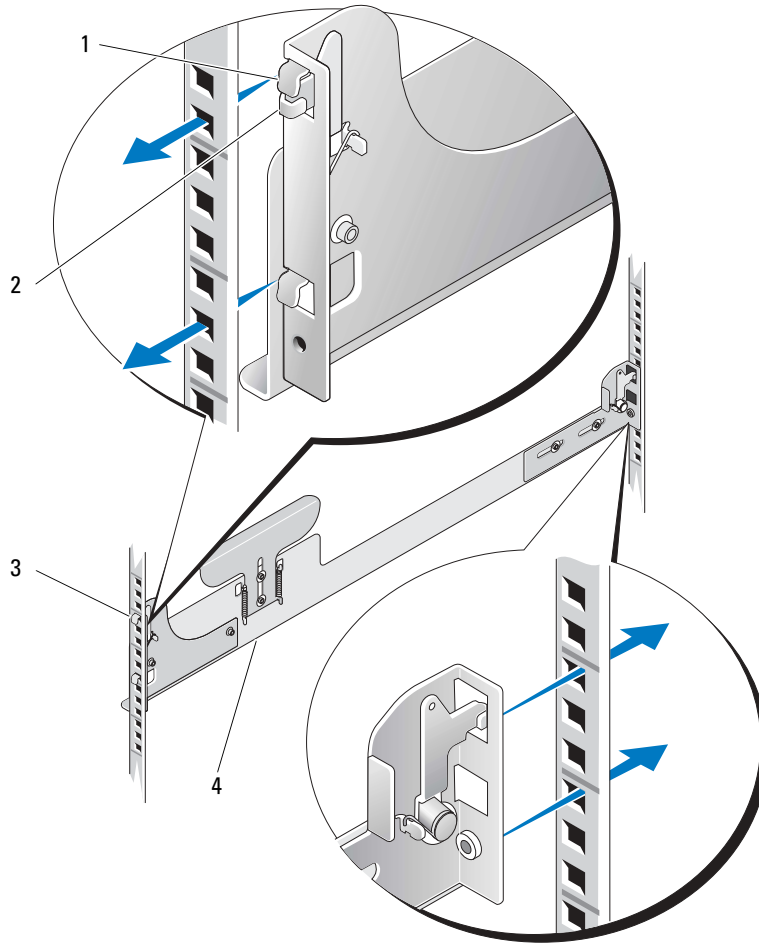
1 Cinta en el riel vertical

Instalación de los rieles de montaje en el rack

Instalación de los rieles de montaje RapidRails

- 1** En la parte frontal del armario rack, coloque uno de los rieles de montaje RapidRails de forma que la superficie de montaje del soporte se ajuste perfectamente entre las marcas o la cinta colocada (o punto numerado) en los rieles verticales del rack (vea la figura 1-5).
El gancho de montaje superior de la superficie de montaje del soporte frontal debe entrar en el orificio superior entre las marcas realizadas en los rieles verticales.
- 2** Empuje el riel de montaje hasta que los dos ganchos de montaje entren en los orificios cuadrados correspondientes. A continuación, presione hacia abajo la superficie de montaje del soporte hasta que los ganchos de montaje encajen y la lengüeta azul del gancho de montaje superior se expulse y se oiga un clic (vea la figura 1-5).
- 3** En la parte posterior del armario, tire hacia atrás de la superficie de montaje del soporte hasta que los ganchos de montaje encajen en los orificios cuadrados correspondientes. A continuación, empuje hacia abajo la superficie hasta que los ganchos de montaje queden encajados y la lengüeta azul se expulse y se oiga un clic.
- 4** Repita del paso 1 al paso 3 para el riel de montaje del otro lateral del rack.
- 5** Asegúrese de que los rieles de montaje estén montados en la misma posición vertical en ambos lados del rack.

Figura 1-5. Instalación de los rieles de montaje RapidRails



- 1 Ganchos de montaje
- 2 Lengüeta azul

- 3 Parte frontal del rack
- 4 Riel de montaje

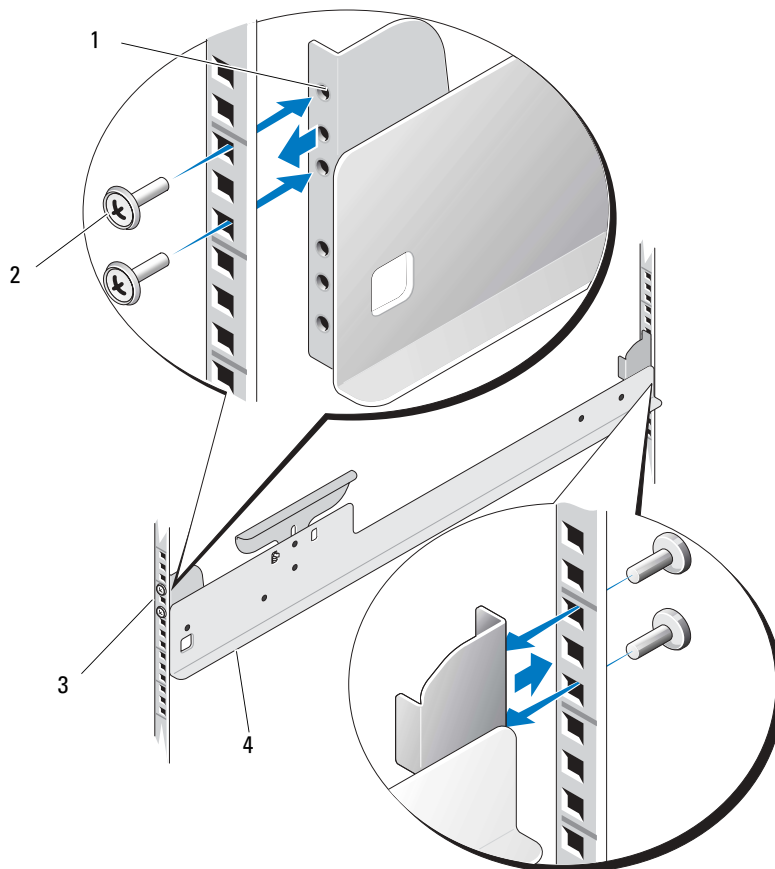
Instalación de los rieles de montaje VersaRails

- 1** En la parte frontal del armario rack, coloque uno de los rieles de montaje VersaRails de forma que la superficie de montaje del soporte se ajuste perfectamente entre las marcas (o punto numerado) realizadas en los rieles verticales del rack (vea la figura 1-6).

Los seis orificios de la parte frontal de la superficie de montaje del soporte deben alinearse con los orificios situados entre las marcas realizadas en el riel vertical frontal.

- 2** Coloque dos tornillos Phillips con arandela 10-32 x 0,5 pulgadas en los orificios superior e inferior de la superficie de montaje del soporte para fijar el riel de montaje al riel vertical frontal.
- 3** En la parte posterior del armario, tire hacia atrás de la superficie de montaje del soporte hasta que los orificios de montaje queden alineados con los orificios correspondientes del riel vertical posterior.
- 4** Coloque dos tornillos Phillips con arandela 10-32 x 0,5 pulgadas en los orificios superior e inferior de la superficie de montaje del soporte posterior para fijar el riel de montaje al riel vertical posterior.
- 5** Repita del paso 1 al paso 4 para el riel de montaje del otro lateral del rack.
- 6** Asegúrese de que los rieles de montaje están montados en la misma posición en los rieles verticales en cada lado del rack.

Figura 1-6. Instalación de los rieles de montaje VersaRails



- | | | | |
|---|---|---|------------------------|
| 1 | Superficie de montaje del soporte | 3 | Parte frontal del rack |
| 2 | Tomillos Phillips con arandela 10-32 x 0,5 pulgadas (4 por riel de montaje) | 4 | Riel de montaje |

Instalación del sistema en el rack

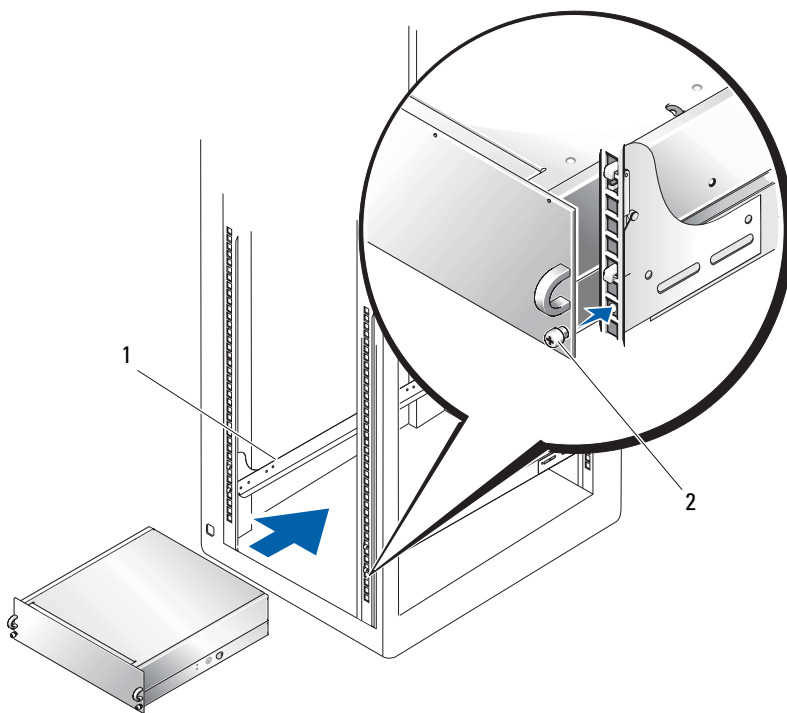
⚠ PRECAUCIÓN: si va a instalar más de un sistema, instale el primero en la posición más baja que haya disponible en el rack.

⚠ PRECAUCIÓN: debido al tamaño y al peso del sistema, no intente nunca montar el sistema en los rieles de montaje sin ayuda.

Para instalar el sistema en el rack, realice el procedimiento siguiente:

- 1 En la parte frontal del rack, coloque el sistema delante de los rieles de montaje instalados en el armario rack.

Figura 1-7. Instalación del sistema en el rack



1 Rieles de montaje (2)

2 Tornillos mariposa (2)

- 2 Inserte completamente el sistema en el rack hasta que el panel frontal toque los rieles verticales (vea la figura 1-7).
- 3 Apriete los tornillos mariposa cautivos en cada lado del panel frontal del sistema (vea la figura 1-7).

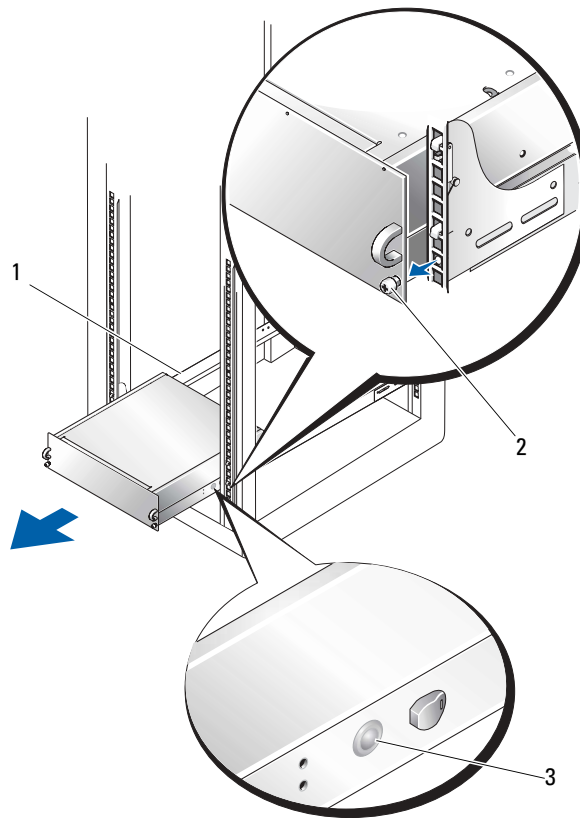
Extracción del sistema del rack

⚠ PRECAUCIÓN: debido al tamaño y al peso del sistema, no intente nunca extraer el sistema de los rieles de montaje sin ayuda.

Para extraer el sistema del rack, realice el procedimiento siguiente:

- 1 Apague el sistema y los periféricos conectados, y desconecte el sistema de la toma eléctrica.

Figura 1-8. Extracción del sistema del rack



1 Rieles de montaje (2)

2 Tornillos mariposa (2)

3 Botón de liberación (2)

- 2 Libere ambos tornillos mariposa del panel frontal del chasis.
- 3 Deslice lentamente el sistema hasta extraerlo del rack aproximadamente 25 cm, o hasta que los pestillos de ambos lados del sistema se enganchen en los orificios de retención rectangulares de los rieles verticales (vea la figura 1-7).
- 4 Con la ayuda de otra persona situada en el otro lado del rack, presione los botones de liberación redondos (azules) de ambos lados del sistema y deslícelo hasta extraerlo completamente del rack.
- 5 Coloque el sistema en una superficie resistente y estable.

Colocación de las puertas del rack

Para volver a colocar las puertas, consulte los procedimientos en la documentación suministrada con el rack.



PRECAUCIÓN: debido al tamaño y al peso de las puertas del armario rack, nunca debe intentar montarlas ni desmontarlas sin ayuda.

Con esta operación finaliza la instalación del sistema en un armario rack de cuatro postes.